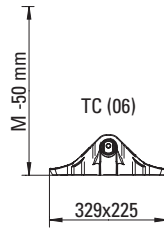
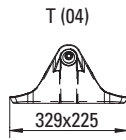
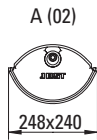
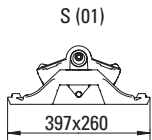
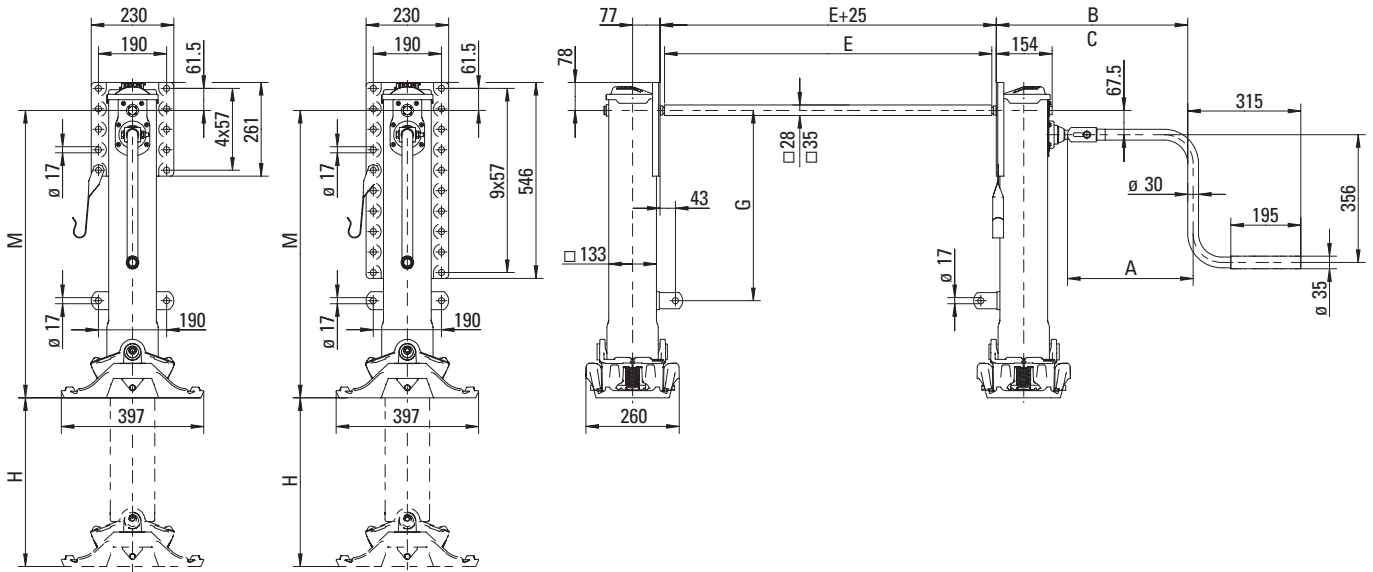


Landing gears Modul B

Technical Specification



The drift for the S and A foot is ± 140 mm.
Dimensions A, B, C and E, see page 131.

Components and article numbers

Please order separately!

M			O	D	U	L
Mounting height			Back plate	Type of foot	Crank w. crank parking hook	Connection shaft
M	H	G			A	E
01 = 900	560	630	01 = Position top	00 = without foot	00 = without crank	00 = without
02 = 850	520	580	02 = Position bottom*	mounted	JS U01 = 350	JS L01 = 1340
03 = 800	470	530	03 = Double plate*	01 = S foot	JS U02 = 415	JS L02 = 1450
04 = 750	430*	480		02 = A foot	JS U03 = 450	JS L03 = 1470
05 = 700	400*	430		04 = T foot	JS U04 = 480	JS L04 = 1500
06 = 650	350*	380		06 = TC foot**	JS U05 = 520	JS L05 = 1505
	reinforced			unmounted	JS U07 = 570	JS L06 = 1575
21 = 900	470	630		91 = S foot	JS U08 = 620	JS L07 = 1605
22 = 850	430	580		92 = A foot		JS L08 = 1635
23 = 800	400	530		94 = T foot		JS L09 = 1700
24 = 750	350*	480		96 = TC foot**		JS L10 = 1790

* no brace lugs are supplied for the combination of mounting heights 04, 05, 06, 24 with back plate 02, 03.

See accessories for loose brace lugs.

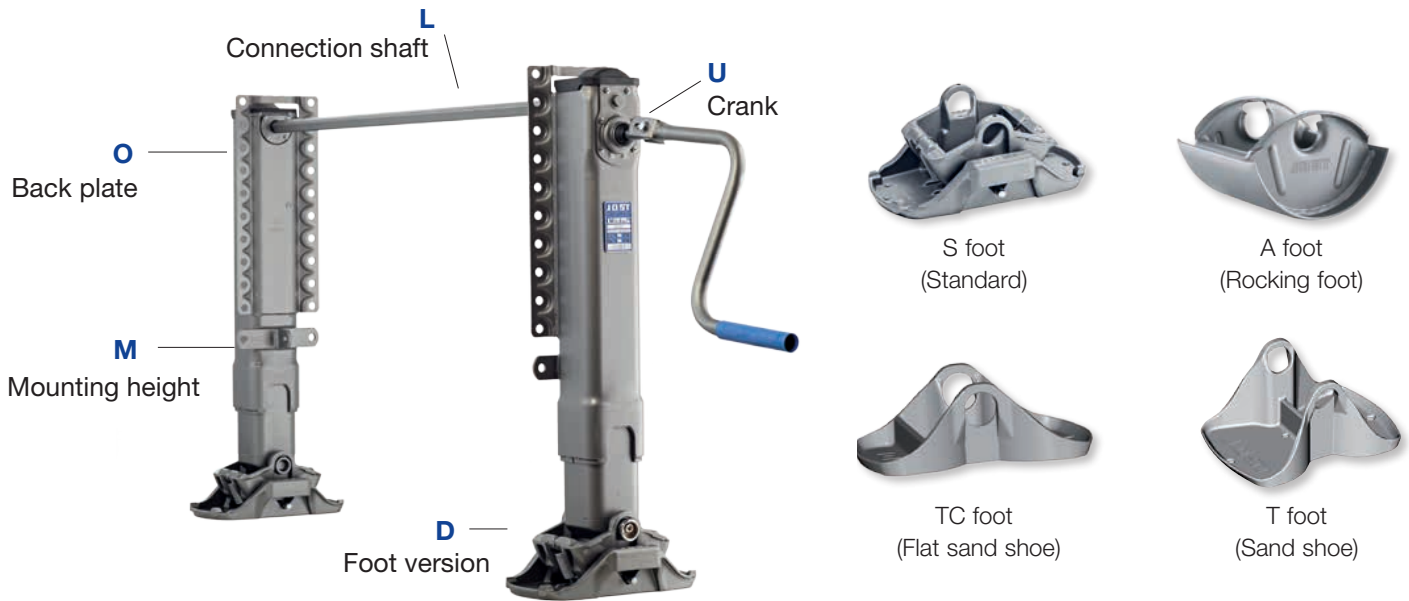
** can be used without restriction on Modul legs produced after week 22/02. On Modul legs produced before that the angle of movement is reduced by $\pm 10^\circ$.

Landing gear with foot "R" (Wheels) please refer to MODUL CW (see page 174).

Individual components

The module components **U** (crank with crank parking hook) and **L** (connection shaft) must be ordered separately and are available individually. The type of feet **D** are likewise available separately; see page 131.

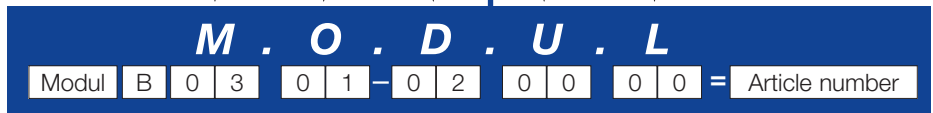
Modul B – components and foot versions



Example of an article number for one set

The complete article number to order the Modul is made up of the article numbers of the various components. First choose **the individual components**. Each component has a 2-figure article number. List **all the components (in other words all the article numbers)** in sequence.

M	Mounting height 800 mm	=	03		Please order crank handle and connection shaft separately! <i>You can find the individual components on page 131.</i>
O	Back plate top	=	01		
D	Foot version (A foot)	=	02		
U	Crank length	=	01		
L	Connection shaft	=	03		

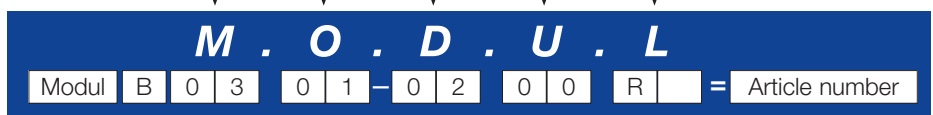


Example: mounting height 800 mm; back plate top, A foot; crank length 350 mm; connection shaft 1470 mm
 = Article number B0301-020000 + JS U01 + JS L03

Example of an article number for a single leg

If you order a **single leg** the **connection shaft** will not be supplied. In this case enter 00 at **U** and at **L** an **R** for right (crank side) or an **L** for left.

M	Mounting height 800 mm	=	03	
O	Back plate top	=	01	
D	Foot version (A foot)	=	02	
U	Crank	=	01	
L	Connection shaft	=	R or L	

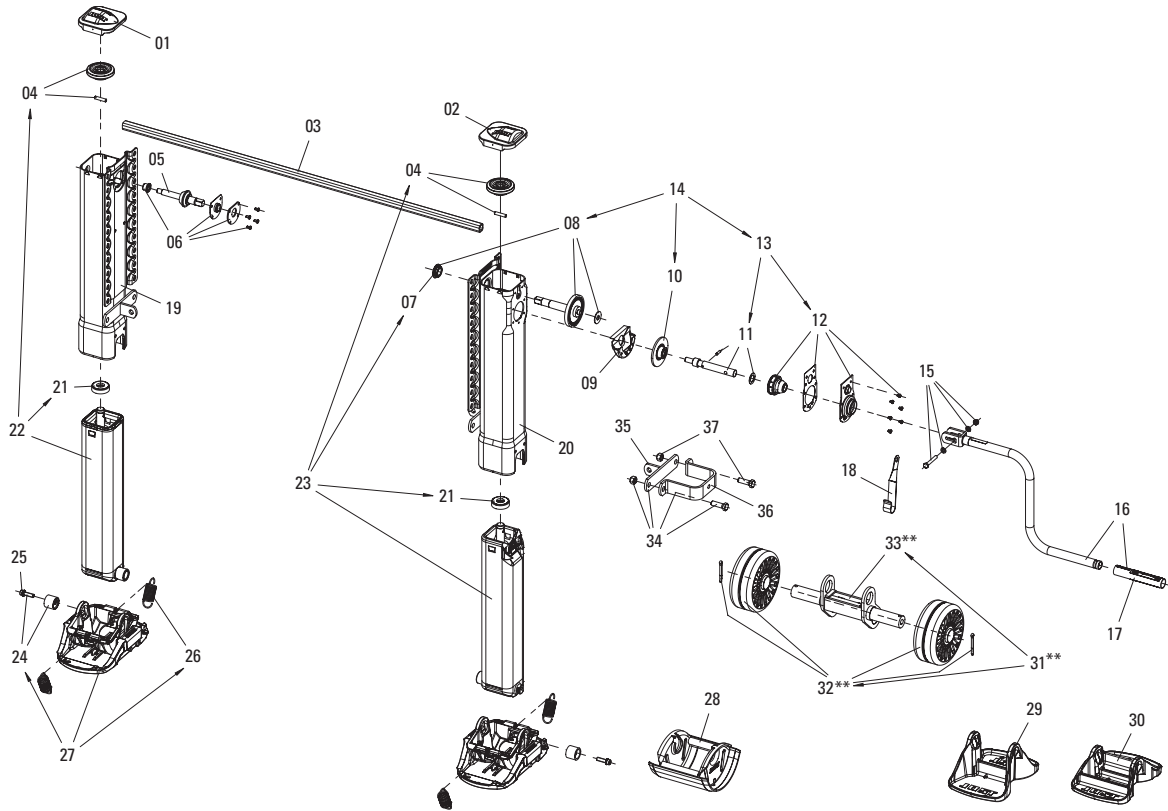


Example: right side; mounting height 800 mm; back plate top, A foot; crank length 350 mm; connection shaft 1470 mm
 = Article number B0301-0200R + JS U01 + JS L03



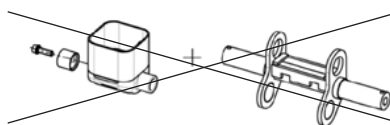
Modul B

Spare parts



Item	Description	Remark	Order No.	per kit
01	Cover, left with bolts		JS E0046100	1
02	Cover, right with bolts		JS E0046300	1
03	See individual components			
04	Bevel gear with bolts	from 020719/0126097	JS E0058600	2
05	Shaft		JS E0001500	1
06	Bearing	compl.	JS E0046200	1
07	Bearing		JS E0001800	1
08	Shaft with bearing	a	JS E0058700	1
09	Grease tank	a	JS E0002000	1
10	Gear	a	JS E0055800	1
11	Crank shaft	compl.	JS E0046500	1
12	Bearing holder	compl., a	JS E0058800	1
13	Crank shaft and bearing holder	compl., with 11 + 12, a	JS E0056600	1
14	Drive	compl., with 08, 10 + 13, a, c	JS E0083700	1
15	Bolts, washers, nuts		JS E0043100	1
16	See individual components			
17	Crank bushing		JS E0042700	1
18	Crank parking hook	for crank 350 mm, (JS U01), b	JS E0040200	1
18	Crank parking hook	for crank 415–480 mm, (JS U02-JS U04), b	JS E0040201	1
18	Crank parking hook	for crank 520–620 mm (JS U05-JS U08), b	JS E0040202	1
19	Mh-01/900 Shaft left	Plate A, top	JS E0031800	1
19	Mh-02/850 Shaft left	Plate A, top	JS E0031801	1
19	Mh-03/800 Shaft left	Plate A, top	JS E0031802	1
19	Mh-04/750 Shaft left	Plate A, top	JS E0031803	1
19	Mh-05/700 Shaft left	Plate A, top	JS E0031804	1
19	Mh-06/650 Shaft left	Plate A, top	JS E0031805	1
19	Mh-01/900 Shaft left	Plate A, bottom	JS E0031300	1
19	Mh-02/850 Shaft left	Plate A, bottom	JS E0031301	1
19	Mh-03/800 Shaft left	Plate A, bottom	JS E0031302	1
19	Mh-04/750 Shaft left	Plate A, bottom	JS E0031303	1
19	Mh-05/700 Shaft left	Plate A, bottom	JS E0031304	1
19	Mh-06/650 Shaft left	Plate A, bottom	JS E0031305	1
19	Mh-01/900 Shaft left	Double plate	JS E0030800	1
19	Mh-02/850 Shaft left	Double plate	JS E0030801	1
19	Mh-03/800 Shaft left	Double plate	JS E0030802	1
19	Mh-04/750 Shaft left	Double plate	JS E0030803	1
19	Mh-05/700 Shaft left	Double plate	JS E0030804	1
19	Mh-06/650 Shaft left	Double plate	JS E0030805	1

Item	Description	Remark	Order No.	per kit
20	Mh-01/900 Shaft right	Plate A, top	JS E0028600	1
20	Mh-02/850 Shaft right	Plate A, top	JS E0028601	1
20	Mh-03/800 Shaft right	Plate A, top	JS E0028602	1
20	Mh-04/750 Shaft right	Plate A, top	JS E0028603	1
20	Mh-05/700 Shaft right	Plate A, top	JS E0028604	1
20	Mh-06/650 Shaft right	Plate A, top	JS E0028605	1
20	Mh-01/900 Shaft right	Plate A, bottom	JS E0029700	1
20	Mh-02/850 Shaft right	Plate A, bottom	JS E0029701	1
20	Mh-03/800 Shaft right	Plate A, bottom	JS E0029702	1
20	Mh-04/750 Shaft right	Plate A, bottom	JS E0029703	1
20	Mh-05/700 Shaft right	Plate A, bottom	JS E0029704	1
20	Mh-06/650 Shaft right	Plate A, bottom	JS E0029705	1
20	Mh-01/900 Shaft right	Double plate	JS E0029200	1
20	Mh-02/850 Shaft right	Double plate	JS E0029201	1
20	Mh-03/800 Shaft right	Double plate	JS E0029202	1
20	Mh-04/750 Shaft right	Double plate	JS E0029203	1
20	Mh-05/700 Shaft right	Double plate	JS E0029204	1
20	Mh-06/650 Shaft right	Double plate	JS E0029205	1
21	Axial bearing *****		JS E0066401	2
22	Mh-01/900 inner tube l. + spindle	with 21 + 04	JS E0056401	1
22	Mh-02/850 inner tube l. + spindle	with 21 + 04	JS E0056402	1
22	Mh-03/800 inner tube l. + spindle	with 21 + 04	JS E0056403	1
22	Mh-04/750 inner tube l. + spindle	with 21 + 04	JS E0056404	1
22	Mh-05/700 inner tube l. + spindle	with 21 + 04	JS E0056405	1
22	Mh-06/650 inner tube l. + spindle	with 21 + 04	JS E0056406	1
23	Mh-01/900 inner tube r. + spindle	with 21, 07 + 04	JS E0056201	1
23	Mh-02/850 inner tube r. + spindle	with 21, 07 + 04	JS E0056202	1
23	Mh-03/800 inner tube r. + spindle	with 21, 07 + 04	JS E0056203	1
23	Mh-04/750 inner tube r. + spindle	with 21, 07 + 04	JS E0056204	1
23	Mh-05/700 inner tube r. + spindle	with 21, 07 + 04	JS E0056205	1
23	Mh-06/650 inner tube r. + spindle	with 21, 07 + 04	JS E0056206	1
24	Nut and bolt***		JS E0043300	2
25	Nuts		JS E0055300	4
26	Spring		JS E0012900	4
27	S-Foot	compl., with 24 + 26****	JS D01	2
28	A-Foot	compl., with 24****	JS D02	2
29	T-Foot	compl., with 24****	JS D04	2
30	TC-Foot	compl., with 24* & ****	JS D06	2
31	R-Foot**	compl., with 24, 32 + 33*	JS D03	2
32	Wheels with split pins**		JS E0062200	2
33	Wheel holder**		JS E0067300	2
34	Clamp with angle	with 35, 36 + 37	JS E010.010	2
35	Angle		JS E010.001	2
36	Clamp		JS E010.002	2
37	Nut and bolt		JS E020.004	2
a	From 020121/0009246			
b	Crank kit see page 131			
c	Also module 2000 (replacement for JS E0059200)			
*	With the 06/TC foot version, item 30, the installation height Mh is reduced by 50 mm			
*	With the 03/roller foot version, item 31, the installation height Mh is increased by 43 mm			
**	Item 31, 32, 33: only for landing gears up to September 2009 (up to 091009 131204)			
***	Nut and bolt up to September 2009 Order No. JS E0043300 (2 per Kit)			
***	Nut and bolt from September 2009 Order No. JS E1043300 (2 per Kit)			
****	Only one fitting included in scope of delivery			
*****	Replaces version with washer			



Note on the new foot mounting

Since September 2009, module B has a new foot mounting which is only screwed on one side. On NO account must the wheel holder be attached with this execution of leg!

Individual components, accessories and repair kits

Item	Description	Remark	Order No.	per kit	Item	Description	Remark	Order No.	per kit
03	Connection shaft 1340 mm		JS L01	1	16	Crank 350 mm w. parking hook	with 15, 17 + 18	JS U01	1
03	Connection shaft 1450 mm		JS L02	1	16	Crank 415 mm w. parking hook	with 15, 17 + 18	JS U02	1
03	Connection shaft 1470 mm		JS L03	1	16	Crank 450 mm w. parking hook	with 15, 17 + 18	JS U03	1
03	Connection shaft 1500 mm		JS L04	1	16	Crank 480 mm w. parking hook	with 15, 17 + 18	JS U04	1
03	Connection shaft 1505 mm		JS L05	1	16	Crank 520 mm w. parking hook	with 15, 17 + 18	JS U05	1
03	Connection shaft 1575 mm		JS L06	1	16	Crank 570 mm w. parking hook	with 15, 17 + 18	JS U07	1
03	Connection shaft 1605 mm		JS L07	1	16	Crank 620 mm w. parking hook	with 15, 17 + 18	JS U08	1
03	Connection shaft 1635 mm		JS L08	1					
03	Connection shaft 1700 mm		JS L09	1					
03	Connection shaft 1790 mm		JS L10	1					