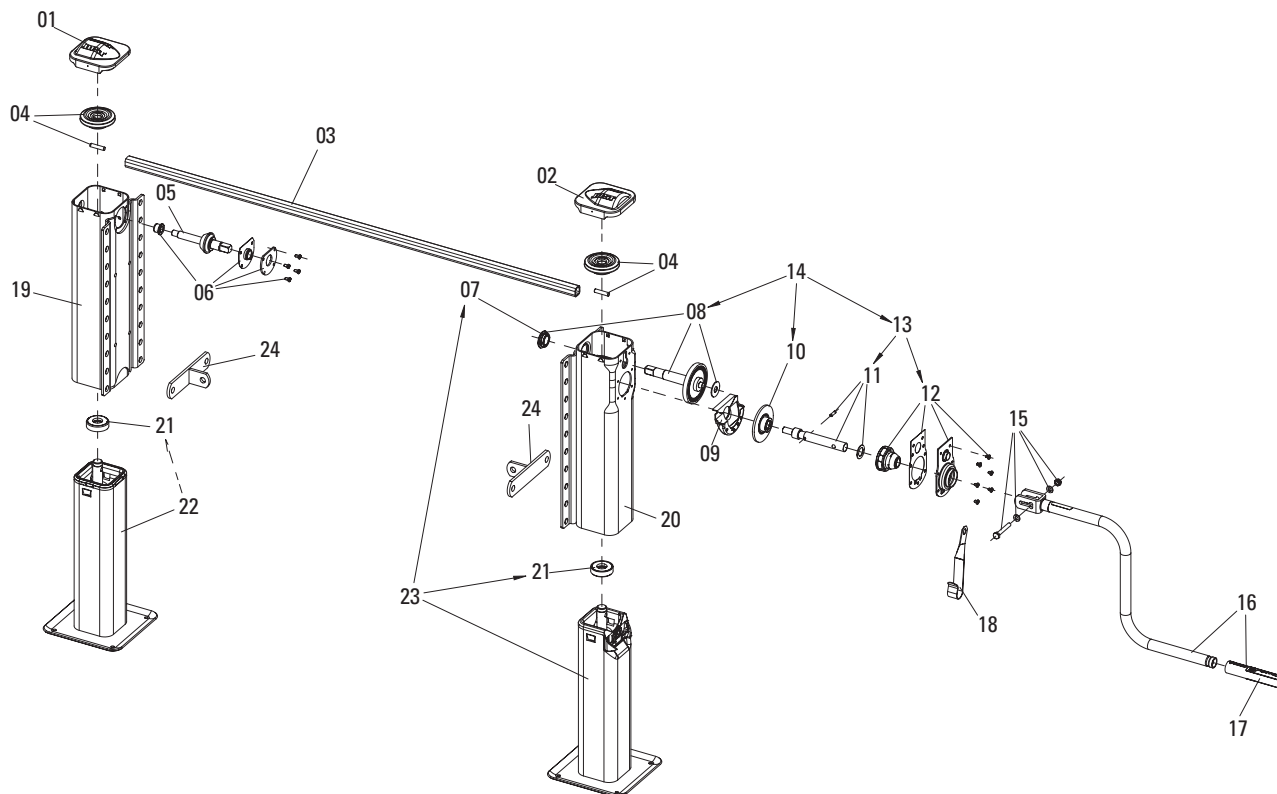


Modul CC

Spare parts



Item	Description	Remark	Order No.	per kit
01	Cover, left with bolts		JS E0046100	1
02	Cover, right with bolts		JS E0046300	1
03	See individual components			1
04	Bevel gear with bolts		JS E0058600	2
05	Shaft		JS E0001500	1
06	Bearing	compl.	JS E0046200	1
07	Bearing		JS E0001800	1
08	Shaft with bearing		JS E0058700	1
09	Grease tank		JS E0002000	1
10	Gear		JS E0055800	1
11	Crank shaft	compl.	JS E0046500	1
12	Bearing holder	compl.	JS E0058800	1
13	Crank shaft and bearing holder	compl., with 11 + 12	JS E0056600	1
14	Drive	compl., with 08, 10 + 13	JS E0083700	1
15	Bolts, washers, nuts		JS E0043100	1
16	See individual components			1
17	Crank bushing		JS E0042700	1
18	Crank parking hook	for crank 415–480 mm (JS U02-JS U04)	JS E0040201	1
18	Crank parking hook	for crank 350 mm (JS U01)	JS E0040200	1
18	Crank parking hook	for crank 520–620 mm (JS U05-JS U08)	JS E0040202	1
19	Mh-06/650 Shaft left		JS E0069301	1
19	Mh-08/600 Shaft left		JS E0069302	1
19	Mh-09/550 Shaft left		JS E0069303	1
19	Mh-10/500 Shaft left		JS E0069304	1
19	Mh-11/450 Shaft left		JS E0069305	1
20	Mh-06/650 Shaft right		JS E0069201	1
20	Mh-08/600 Shaft right		JS E0069202	1
20	Mh-09/550 Shaft right		JS E0069203	1
20	Mh-10/500 Shaft right		JS E0069204	1
20	Mh-11/450 Shaft right		JS E0069205	1
21	Axial bearing		JS E0066401	2
22	Mh-06/650 Inner tube left + spindle and shaft	with 21	JS E0068901	1
22	Mh-08/600 Inner tube left + spindle and shaft	with 21	JS E0068902	1
22	Mh-09/550 Inner tube left + spindle and shaft	with 21	JS E0068903	1
22	Mh-10/500 Inner tube left + spindle and shaft	with 21	JS E0068904	1
22	Mh-11/450 Inner tube left + spindle and shaft	with 21	JS E0068905	1

Item	Description	Remark	Order No.	per kit
23	Mh-06/650 Inner tube right + spindle and shaft	with 21 + 07	JS E0068801	1
23	Mh-08/600 Inner tube right + spindle and shaft	with 21 + 07	JS E0068802	1
23	Mh-09/550 Inner tube right + spindle and shaft	with 21 + 07	JS E0068803	1
23	Mh-10/500 Inner tube right + spindle and shaft	with 21 + 07	JS E0068804	1
23	Mh-11/450 Inner tube right + spindle and shaft	with 21 + 07	JS E0068805	1
24	Angle		JS E010.001	2

Individual components, accessories and repair kits

Item	Description	Remark	Order No.	per kit	Item	Description	Remark	Order No.	per kit
03	Connection shaft 1340 mm		JS L01	1	16	Crank 350 mm w. parking hook	with 15, 17 + 18	JS U01	1
03	Connection shaft 1450 mm		JS L02	1	16	Crank 415 mm w. parking hook	with 15, 17 + 18	JS U02	1
03	Connection shaft 1470 mm		JS L03	1	16	Crank 450 mm w. parking hook	with 15, 17 + 18	JS U03	1
03	Connection shaft 1505 mm		JS L05	1	16	Crank 480 mm w. parking hook	with 15, 17 + 18	JS U04	1
03	Connection shaft 1575 mm		JS L06	1	16	Crank 520 mm w. parking hook	with 15, 17 + 18	JS U05	1
03	Connection shaft 1605 mm		JS L07	1	16	Crank 570 mm w. parking hook	with 15, 17 + 18	JS U07	1
03	Connection shaft 1635 mm		JS L08	1	16	Crank 620 mm w. parking hook	with 15, 17 + 18	JS U08	1
03	Connection shaft 1700 mm		JS L09	1					
03	Connection shaft 1790 mm		JS L10	1					

