

Landing gears · Modul CI

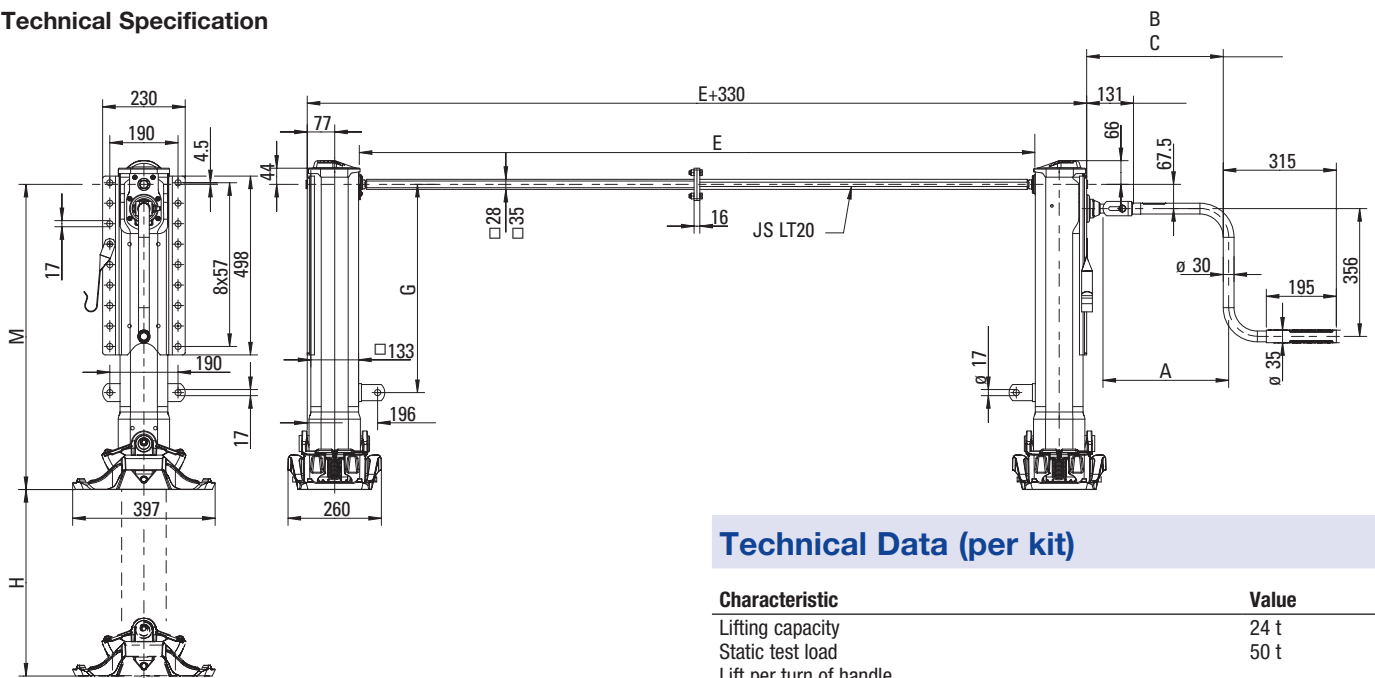
Advantages at a glance

- Inside chassis mounting
- For semi-trailers with external chassis or self supporting structures
- 4 foot types

Technical Features

- External back plate
- Split cross shaft for easier installation (see special accessories)
- Also available with two side operation and special crank

Technical Specification



Technical Data (per kit)

| Characteristic | Value |
|--------------------------------------|---------|
| Lifting capacity | 24 t |
| Static test load | 50 t |
| Lift per turn of handle | |
| - Low gear | 0,9 mm |
| - High gear | 15,0 mm |
| Crank force at 16 t lifting capacity | 210 N |

Selection table / Versions available

| Order No. | M (mm) | H (mm) | G (mm) | Back plate | Foot | Order No. | M (mm) | H (mm) | G (mm) | Back plate | Foot |
|-------------|--------|--------|--------|------------|------|-------------|--------|--------|--------|------------|------|
| CI101310000 | 900 | 560 | 630 | double | S | CI103340000 | 800 | 470 | 530 | double | T |
| CI101320000 | 900 | 560 | 630 | double | A | CI103360000 | 750 | 470 | 530 | double | TC |
| CI101340000 | 900 | 560 | 630 | double | T | CI104310000 | 750 | 430 | 480 | double | S |
| CI101360000 | 850 | 560 | 630 | double | TC | CI104320000 | 750 | 430 | 480 | double | A |
| CI102310000 | 850 | 520 | 580 | double | S | CI104340000 | 750 | 430 | 480 | double | T |
| CI102320000 | 850 | 520 | 580 | double | A | CI104360000 | 700 | 430 | 480 | double | TC |
| CI102340000 | 850 | 520 | 580 | double | T | CI105310000 | 700 | 400 | 430 | double | S |
| CI102360000 | 800 | 520 | 580 | double | TC | CI105320000 | 700 | 400 | 430 | double | A |
| CI103310000 | 800 | 470 | 530 | double | S | CI105340000 | 700 | 400 | 430 | double | T |
| CI103320000 | 800 | 470 | 530 | double | A | CI105360000 | 650 | 400 | 430 | double | TC |

Crank handle

| Order No. | A | B (Low gear) | C (High gear) |
|-----------|-----|--------------|---------------|
| JS U01 | 350 | 381 | 400 |
| JS U02 | 415 | 446 | 465 |
| JS U03 | 450 | 481 | 500 |
| JS U04 | 480 | 546 | 530 |
| JS U05 | 520 | 586 | 570 |
| JS U07 | 570 | 646 | 620 |
| JS U08 | 620 | 681 | 670 |

Special Accessories

split connection shaft

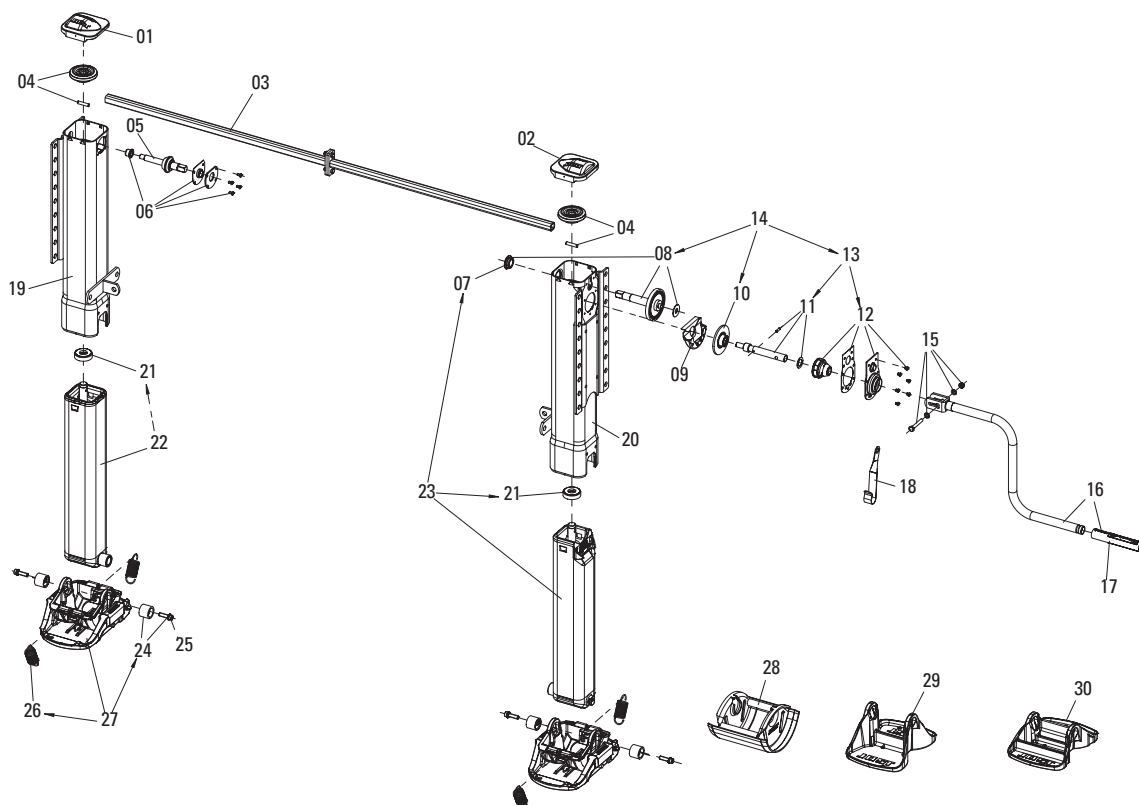
| Order No. | (Length of connection shaft) |
|-----------|------------------------------|
| JS LT20 | 1840 |

Remark:

Please order crank handle and connection shaft separately, see page 131.

Modul CI

Spare parts



| Item | Description | Remark | Order No. | per kit |
|------|---|--------------------------------------|-------------|---------|
| 01 | Cover, left with bolts | | JS E0046100 | 1 |
| 02 | Cover, right with bolts | | JS E0046300 | 1 |
| 03 | See individual components | | | 1 |
| 04 | Bevel gear with bolts | | JS E0058600 | 2 |
| 05 | Shaft | | JS E0001500 | 1 |
| 06 | Bearing | compl. | JS E0046200 | 1 |
| 07 | Shaft | | JS E0001800 | 1 |
| 08 | Shaft with bearing | | JS E0058700 | 1 |
| 09 | Grease tank | | JS E0002000 | 1 |
| 10 | Gear | | JS E0055800 | 1 |
| 11 | Crankshaft | compl. | JS E0046500 | 1 |
| 12 | Bearing holder | compl. | JS E0058800 | 1 |
| 13 | Crankshaft and bearing holder | compl., with 11 + 12 | JS E0056600 | 1 |
| 14 | Drive | compl., with 08, 10 + 13 | JS E0083700 | 1 |
| 15 | Bolts, washers, nuts | | JS E0043100 | 1 |
| 16 | See individual components | | | 1 |
| 17 | Crank bushing | | JS E0042700 | 1 |
| 18 | Crank parking hook | for crank 350 mm (JS U01) | JS E0040200 | 1 |
| 18 | Crank parking hook | for crank 415–480 mm (JS U02–JS U04) | JS E0040201 | 1 |
| 18 | Crank parking hook | for crank 520–620 mm (JS U05–JS U08) | JS E0040202 | 1 |
| 19 | * Mh-01/900 shaft left | Plate A full length | JS E0081501 | 1 |
| 19 | * Mh-02/850 shaft left | Plate A full length | JS E0081502 | 1 |
| 19 | * Mh-03/800 shaft left | Plate A full length | JS E0081503 | 1 |
| 19 | * Mh-04/750 shaft left | Plate A full length | JS E0081504 | 1 |
| 19 | * Mh-05/700 shaft left | Plate A full length | JS E0081505 | 1 |
| 20 | * Mh-01/900 shaft right | Plate A full length | JS E0081301 | 1 |
| 20 | * Mh-02/850 shaft right | Plate A full length | JS E0081302 | 1 |
| 20 | * Mh-03/800 shaft right | Plate A full length | JS E0081303 | 1 |
| 20 | * Mh-04/750 shaft right | Plate A full length | JS E0081304 | 1 |
| 20 | * Mh-05/700 shaft right | Plate A full length | JS E0081305 | 1 |
| 21 | Axial bearing | | JS E0066401 | 2 |
| 22 | * Mh-01/900 inner tube I. + spindle and bearing | with 21 | JS E0056401 | 1 |
| 22 | * Mh-02/850 inner tube I. + spindle and bearing | with 21 | JS E0056402 | 1 |
| 22 | * Mh-03/800 inner tube I. + spindle and bearing | with 21 | JS E0056403 | 1 |



| Item | Description | Remark | Order No. | per kit |
|------|---|--------------------------|-------------|---------|
| 22 | * Mh-04/750 inner tube l. + spindle and bearing | with 21 | JS E0056404 | 1 |
| 22 | * Mh-05/700 inner tube l. + spindle and bearing | with 21 | JS E0056405 | 1 |
| 23 | * Mh-01/900 inner tube r. + spindle and bearing | with 21 + 07 | JS E0056201 | 1 |
| 23 | * Mh-02/850 inner tube r. + spindle and bearing | with 21 + 07 | JS E0056202 | 1 |
| 23 | * Mh-03/800 inner tube r. + spindle and bearing | with 21 + 07 | JS E0056203 | 1 |
| 23 | * Mh-04/750 inner tube r. + spindle and bearing | with 21 + 07 | JS E0056204 | 1 |
| 23 | * Mh-05/700 inner tube r. + spindle and bearing | with 21 + 07 | JS E0056205 | 1 |
| 24 | Nut and bolt*** | | JS E0043300 | 2 |
| 25 | bolt | | JS E0055300 | 4 |
| 26 | Spring | | JS E0012900 | 4 |
| 27 | S foot | compl., with 24 + 26**** | JS D01 | 2 |
| 28 | A foot | compl., with 24**** | JS D02 | 2 |
| 29 | T foot | compl., with 24**** | JS D04 | 2 |
| 30 | TC foot | compl., with 24**** | JS D06 | 2 |

*** Nut and bolt up to September 2009 Order No. JS E0043300 (2 per Kit)

*** Nut and bolt from September 2009 Order No. JS E1043300 (2 per Kit)

**** Only one fitting included in scope of delivery

Individual components, accessories and repair kits

| Item | Description | Remark | Order No. | per kit |
|------|------------------------------|------------------|-----------|---------|
| 03 | Divided connection shaft | | JS LT20 | 1 |
| 16 | Crank 350 mm w. parking hook | with 15, 17 + 18 | JS U01 | 1 |
| 16 | Crank 415 mm w. parking hook | with 15, 17 + 18 | JS U02 | 1 |
| 16 | Crank 450 mm w. parking hook | with 15, 17 + 18 | JS U03 | 1 |
| 16 | Crank 480 mm w. parking hook | with 15, 17 + 18 | JS U04 | 1 |
| 16 | Crank 520 mm w. parking hook | with 15, 17 + 18 | JS U05 | 1 |
| 16 | Crank 570 mm w. parking hook | with 15, 17 + 18 | JS U07 | 1 |
| 16 | Crank 620 mm w. parking hook | with 15, 17 + 18 | JS U08 | 1 |