

Landing gears · Modul CS

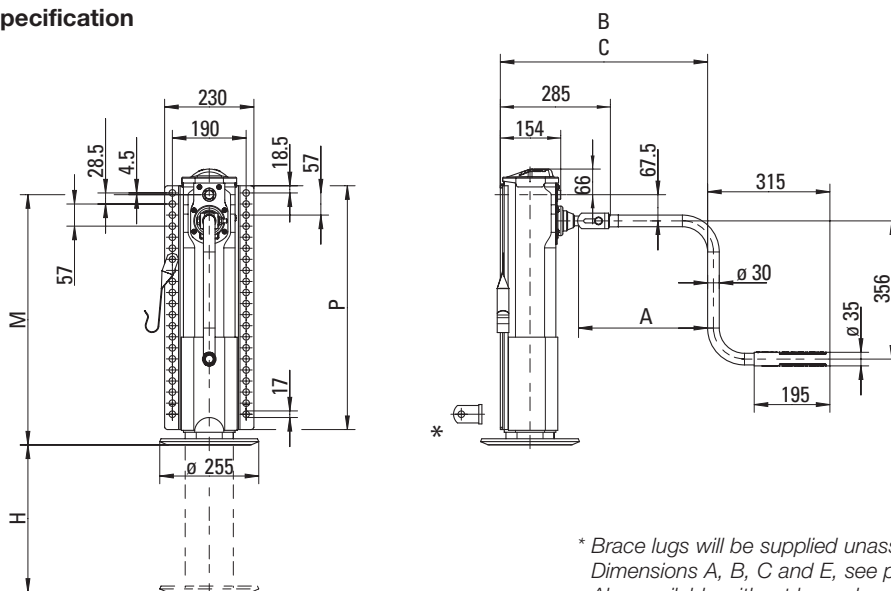
Advantages at a glance

- Stabilising leg for liquid and bulk tippers (rear)
- Support while unloading
- Levelling due to two separate landing gears
- Low maintenance because of integrated lubricant cartridge
- High degree of installation variability thanks to double bolt hole pattern
- Additional spindle nut
 - Additional protection against wear
 - Minimised risk of accidents

Technical Features

- Protected against wear by fully sealed gearbox and reinforced inner tube
- Full length back plate for high variability during installation
- Reinforcement for maximum bending strength
- Heavy duty shaft for better shock resistance
- Secure stand due to reinforced rigid foot

Technical Specification



* Brace lugs will be supplied unassembled.
Dimensions A, B, C and E, see page 131.
Also available without brace lugs on request

Selection table / Versions available

Order No.	M (mm)	H (mm)	P (mm)	Back plate	Foot
CS1044700R	750	470	728	full length	T rigid
CS1054700R	700	380	678	full length	T rigid
CS1064700R	650	380	628	full length	T rigid
CS1084700R	600	330	578	full length	T rigid
CS1094700R	550	280	528	full length	T rigid

Technical Data (per piece / set)

Characteristic	Value
Lifting capacity	12 t / 24 t
Static test load	33 / 66 t
Lift per turn of handle	
- Low gear	0,9 mm
- High gear	15,0 mm
Crank force at 8 t lifting capacity	110 N

Remark:

Please order crank handle separately, see page 131.

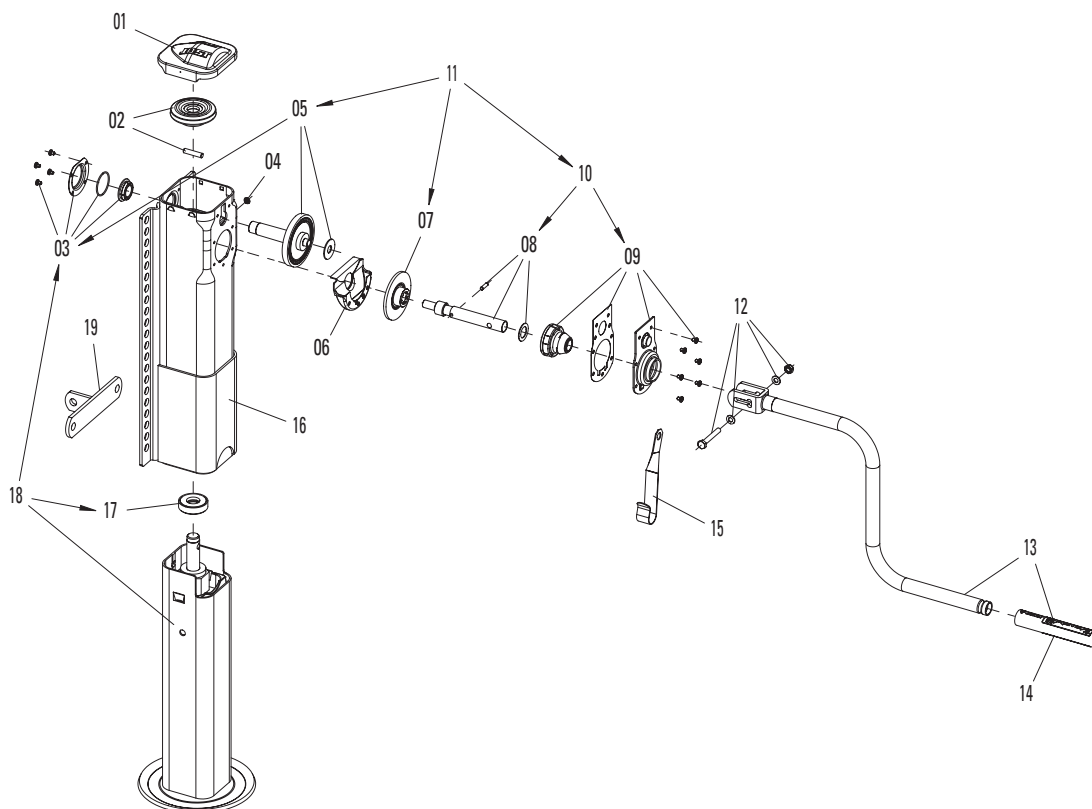
Two stabiliser legs are required per trailer. There is no cross shaft.

There is no need for a connection shaft.



Modul CS

Spare parts



Item	Description	Remark	Order No.	per piece
01	Cover		JS E0046300	1
02	Bevel gear with bolts		JS E0058600	1
03	Cover with shaft	compl.	JS E0083900	1
03	Cover with shaft	compl., from serial number 0072322, KW 10/2006	JS E0083901	1
04	Grease nipple with protective cap		JS E0084000	1
05	Shaft with bearing		JS E0084100	1
06	Grease tank		JS E0002000	1
07	Gear		JS E0055800	1
08	Crankshaft	compl.	JS E0046500	1
09	Bearing holder	compl.	JS E0058800	1
10	Crankshaft and bearing holder	compl., with 08 + 09	JS E0056600	1
11	Drive	compl., with 05, 07 + 10	JS E0084300	1
12	Bolts, washers, nuts		JS E0043100	1
13	Crank 350 mm w. parking hook	with 12, 14 + 15	JS U01	1
13	Crank 415 mm w. parking hook	with 12, 14 + 15	JS U02	1
13	Crank 450 mm w. parking hook	with 12, 14 + 15	JS U03	1
13	Crank 480 mm w. parking hook	with 12, 14 + 15	JS U04	1
13	Crank 520 mm w. parking hook	with 12, 14 + 15	JS U05	1
13	Crank 570 mm w. parking hook	with 12, 14 + 15	JS U07	1
13	Crank 620 mm w. parking hook	with 12, 14 + 15	JS U08	1
14	Crank bushing		JS E0042700	1
15	Crank parking hook	for crank 350 mm (JS U01)	JS E0040200	1
15	Crank parking hook	for crank 415–480 mm (JS U02-JS U04)	JS E0040201	1
15	Crank parking hook	for crank 520–620 mm (JS U05-JS U08)	JS E0040202	1
16	Mh-04/750 shaft right		JS E0068303	1
16	Mh-05/700 shaft right		JS E0068302	1
16	Mh-06/650 shaft right		JS E0068301	1
16	Mh-08/600 shaft right		JS E0068304	1
16	Mh-09/550 shaft right		JS E0068305	1
17	Axial bearing		JS E0066400	1
18	Mh-04/750 inner tube r. + spindle and bearing	with 17 + 03 (JS E0083901)	JS E0067003	1
18	Mh-05/700 inner tube r. + spindle and bearing	with 17 + 03 (JS E0083901)	JS E0067002	1
18	Mh-06/650 inner tube r. + spindle and bearing	with 17 + 03 (JS E0083901)	JS E0067001	1
18	Mh-08/600 inner tube r. + spindle and bearing	with 17 + 03 (JS E0083901)	JS E0067004	1
18	Mh-09/550 inner tube r. + spindle and bearing	with 17 + 03 (JS E0083901)	JS E0067005	1
19	Angle		JS E010.001	1