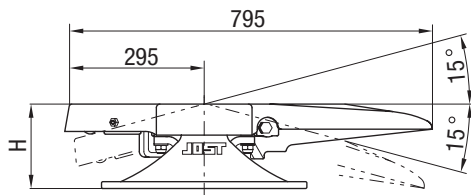
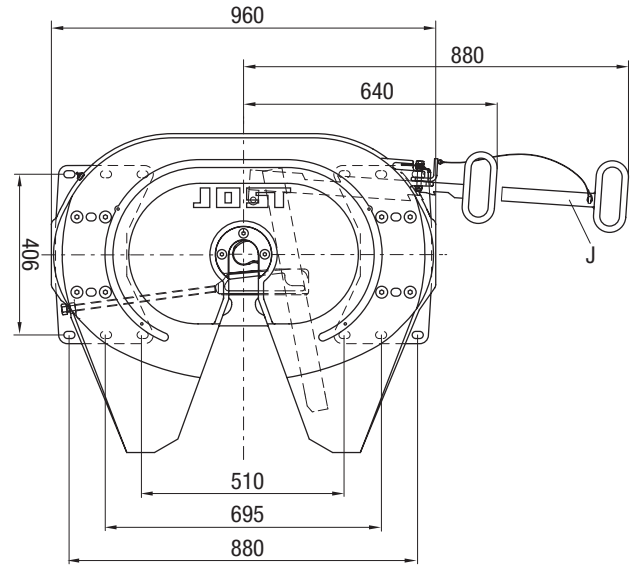


Fifth wheel couplings · JSK 37 C

Advantages at a glance

- Robust and universal 2" cast fifth wheel coupling
- Especially for use under poor road conditions
- **Also suitable for use in site traffic**
- Shock-absorbing rubber bearing
- Integrated automatic lubrication system LubeTronic 5Point and/or sensorsystem as options



Technical Specification

Suitable for 2" king pins (class G50) as per ECE R55-01, DIN 74080, ISO 337 and steering wedges as per ECE R55-01, DIN 74085.

Selection table/Versions available

| Order No. | H (mm) | D value (kN) | Imposed load U (t) | Weight (kg) | Approval (ECE) | WA | ZL | Sensoric |
|--------------------|--------|--------------|--------------------|-------------|----------------|----------|----|----------|
| JSK 37 C150 | 150 | 152 | 20 | 149.0 | E1 55R-01 0116 | M | K | - |
| JSK 37 C150 Z | 150 | 152 | 20 | 149.0 | E1 55R-01 0116 | Z | K | - |
| JSK 37 C150 J | 150 | 152 | 20 | 149.0 | E1 55R-01 0116 | M | J | - |
| JSK 37 C150 ZJ | 150 | 152 | 20 | 149.0 | E1 55R-01 0116 | Z | J | - |
| JSK 37 C0 20 U3 AA | 150 | 152 | 20 | 149.5 | E1 55R-01 0116 | LT5P ST | J | - |
| JSK 37 C0 20 BG EE | 150 | 152 | 20 | 149.5 | E1 55R-01 0116 | LT5P MB | J | - |
| JSK 37 C0 20 D0 CL | 150 | 152 | 20 | 149.5 | E1 55R-01 0116 | LT5P MAN | K | - |
| JSK 37 C0 20 T9 AI | 150 | 152 | 20 | 149.5 | E1 55R-01 0116 | LT5P VT | K | - |
| JSK 37 C0 20 C6 AA | 150 | 152 | 20 | 146.0 | E1 55R-01 0116 | M | J | ST* |
| JSK 37 C0 20 M3 EE | 150 | 152 | 20 | 146.0 | E1 55R-01 0116 | M | J | MB |
| JSK 37 C0 20 P1 AI | 150 | 152 | 20 | 146.0 | E1 55R-01 0116 | M | K | VT/RT |
| JSK 37 C0 20 DA AA | 150 | 152 | 20 | 150.4 | E1 55R-01 0116 | LT5P ST | J | ST |
| JSK 37 C0 20 P2 AI | 150 | 152 | 20 | 150.4 | E1 55R-01 0116 | LT5P VT | K | VT/RT |
| JSK 37 C185 | 185 | 152 | 20 | 152.0 | E1 55R-01 0116 | M | K | - |
| JSK 37 C185 Z | 185 | 152 | 20 | 152.0 | E1 55R-01 0116 | Z | K | - |
| JSK 37 C185 J | 185 | 152 | 20 | 152.0 | E1 55R-01 0116 | M | J | - |
| JSK 37 C185 ZJ | 185 | 152 | 20 | 152.0 | E1 55R-01 0116 | Z | J | - |
| JSK 37 C0 38 U3 AA | 185 | 152 | 20 | 154.7 | E1 55R-01 0116 | LT5P ST | J | - |
| JSK 37 C0 38 BG EE | 185 | 152 | 20 | 154.7 | E1 55R-01 0116 | LT5P MB | J | - |
| JSK 37 C0 38 D0 CL | 185 | 152 | 20 | 154.7 | E1 55R-01 0116 | LT5P MAN | K | - |
| JSK 37 C0 38 T9 AI | 185 | 152 | 20 | 154.7 | E1 55R-01 0116 | LT5P VT | K | - |
| JSK 37 C0 38 C6 AA | 185 | 152 | 20 | 151.0 | E1 55R-01 0116 | Z | J | ST* |
| JSK 37 C0 38 M3 EX | 185 | 152 | 20 | 151.0 | E1 55R-01 0116 | M | J | MB |
| JSK 37 C0 38 P1 AI | 185 | 152 | 20 | 151.0 | E1 55R-01 0116 | M | J | VT/RT |
| JSK 37 C0 38 DA AA | 185 | 152 | 20 | 155.5 | E1 55R-01 0116 | LT5P ST | J | ST* |
| JSK 37 C0 38 P2 AI | 185 | 152 | 20 | 155.5 | E1 55R-01 0116 | LT5P VT | K | VT/RT |
| JSK 37 C250 | 250 | 152 | 20 | 168.0 | E1 55R-01 0116 | M | K | - |
| JSK 37 C250 Z | 250 | 152 | 20 | 168.0 | E1 55R-01 0116 | Z | K | - |
| JSK 37 C250 J | 250 | 152 | 20 | 168.0 | E1 55R-01 0116 | M | J | - |
| JSK 37 C250 ZJ | 250 | 152 | 20 | 168.0 | E1 55R-01 0116 | Z | J | - |
| JSK 37 C0 70 U3 AA | 250 | 152 | 20 | 169.9 | E1 55R-01 0116 | LT5P ST | J | - |
| JSK 37 C0 70 BG EE | 250 | 152 | 20 | 169.9 | E1 55R-01 0116 | LT5P MB | J | - |
| JSK 37 C0 70 D0 CL | 250 | 152 | 20 | 169.9 | E1 55R-01 0116 | LT5P MAN | K | - |
| JSK 37 C0 70 C6 AA | 250 | 152 | 20 | 169.9 | E1 55R-01 0116 | Z | J | ST* |
| JSK 37 C0 70 DA AA | 250 | 152 | 20 | 170.7 | E1 55R-01 0116 | LT5P ST | J | ST* |
| JSK 37 C300 | 300 | 152 | 20 | 178.0 | E1 55R-01 0116 | M | K | - |
| JSK 37 C300 Z | 300 | 152 | 20 | 178.0 | E1 55R-01 0116 | Z | K | - |
| JSK 37 C300 J | 300 | 152 | 20 | 178.0 | E1 55R-01 0116 | M | J | - |
| JSK 37 C300 ZJ | 300 | 152 | 20 | 178.0 | E1 55R-01 0116 | Z | J | - |
| JSK 37 C0 80 U3 AA | 300 | 152 | 20 | 169.0 | E1 55R-01 0116 | LT5P ST | J | - |
| JSK 37 C0 80 C6 AA | 300 | 152 | 20 | 186.1 | E1 55R-01 0116 | M | J | ST* |
| JSK 37 C0 80 DA AA | 300 | 152 | 20 | 188.5 | E1 55R-01 0116 | LT5P ST | J | ST* |

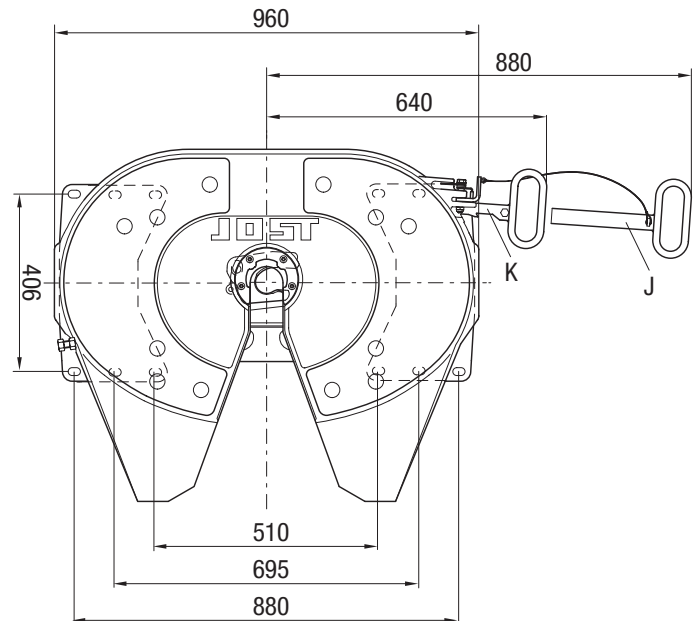
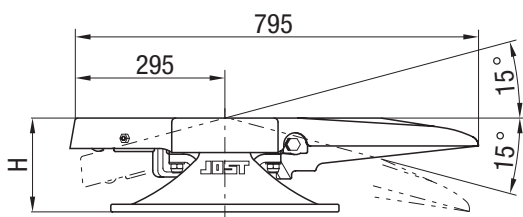
Explanatory notes for the selection tables please refer to page 15.

Mounting instructions at www.jost-world.com

Fifth wheel couplings · JSK 37 CW

Advantages at a glance

- Robust and universal 2" cast fifth wheel coupling
- Especially for use under poor road conditions
- Low-maintenance with plastic top plate liner and **LubeTronic 1Point** as a standard feature for automatic lubrication of lock jaw



Selection table / Versions available

| Order No. | H (mm) | D value (kN) | Imposed load U (t) | Weight (kg) | Approval (ECE) | WA | ZL | Sensoric |
|--------------------|--------|--------------|--------------------|-------------|----------------|--------|----|----------|
| JSK 37 C0 20 87 AA | 150 | 152 | 20 | 150 | E1 55R-01 0116 | W+LT1P | J | - |
| JSK 37 C0 20 C7 AA | 150 | 152 | 20 | 146 | E1 55R-01 0116 | W | J | ST* |
| JSK 37 C0 20 BE EE | 150 | 152 | 20 | 146 | E1 55R-01 0116 | W+LT1P | J | MB** |
| JSK 37 C0 20 P4 AI | 150 | 152 | 20 | 146 | E1 55R-01 0116 | W+LT1P | K | VT/RT** |
| JSK 37 C0 38 87 AA | 185 | 152 | 20 | 153 | E1 55R-01 0116 | W+LT1P | J | - |
| JSK 37 C0 38 C7 AA | 185 | 152 | 20 | 146 | E1 55R-01 0116 | W | J | ST* |
| JSK 37 C0 38 BE EE | 185 | 152 | 20 | 146 | E1 55R-01 0116 | W+LT1P | J | MB** |
| JSK 37 C0 38 P4 AI | 185 | 152 | 20 | 146 | E1 55R-01 0116 | W+LT1P | K | VT/RT** |
| JSK 37 C0 70 87 AA | 250 | 152 | 20 | 153 | E1 55R-01 0116 | W+LT1P | J | - |
| JSK 37 C0 70 C7 AA | 250 | 152 | 20 | 146 | E1 55R-01 0116 | W | J | ST* |
| JSK 37 C0 80 87 AA | 300 | 152 | 20 | 153 | E1 55R-01 0116 | W+LT1P | J | - |

Explanatory notes for the selection tables please refer to page 15.

available with



LubeTronic 1P



Sensoric

Technical Specification

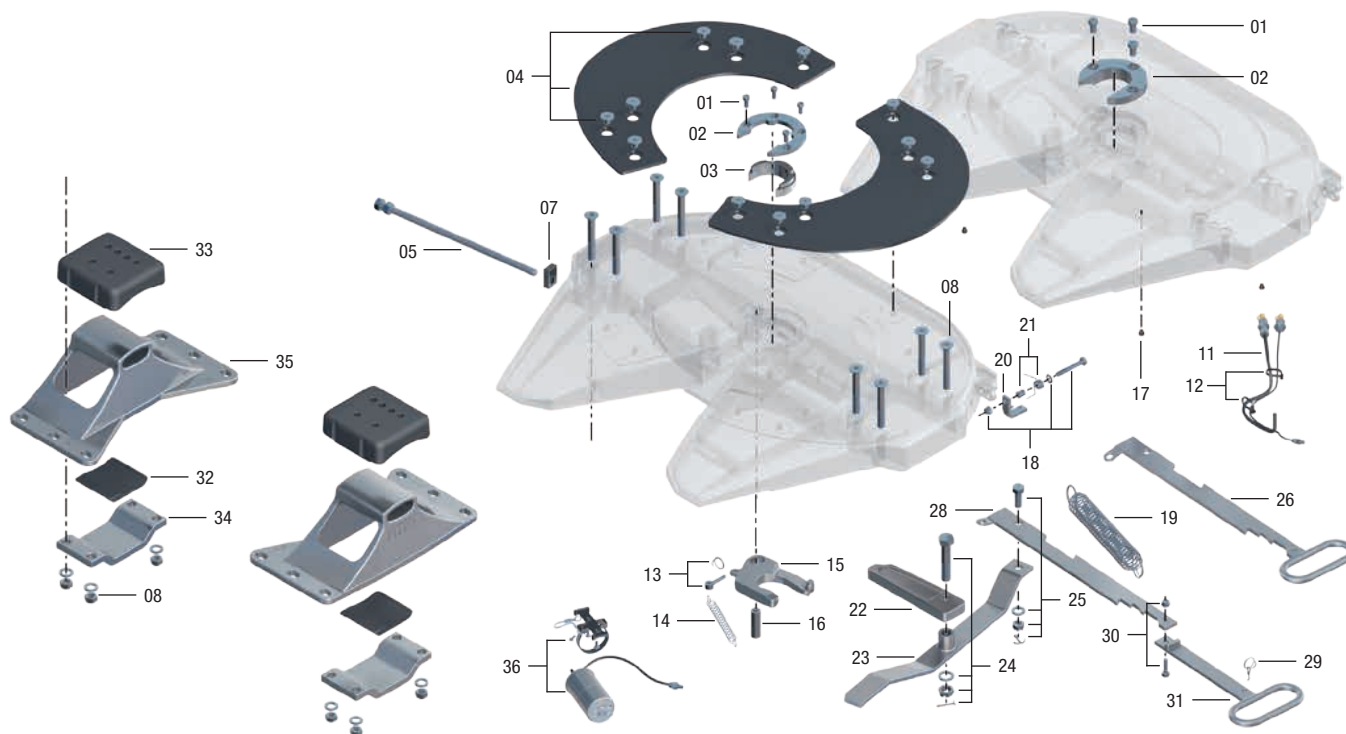
Suitable for 2" king pins (class G50) as per ECE R55-01, DIN 74080, ISO 337 and steering wedges as per ECE R55-01, DIN 74085.

* Sensor couplings in the version ST (Standard) are complete sets, they are delivered incl. remote display (SKE501620200) and cable set (SKE002110300).

** For using sensor coupling versions MB and VT, the truck has to be prepared ex factory for sensors by the manufacturer.

JSK 37 C/CW

Spare parts



| Item | Description | Remark | Order No. | per JSK |
|------|-------------------------------------|----------------------|--------------|---------|
| 01 | Socket head bolt | for JSK37CZ | SK 2121-07 | 3 |
| 01 | Socket head bolt | for JSK37CW | SK 3121-55 | 4 |
| 02 | Wearing ring | for JSK37CZ | SK 2105-19 | 1 |
| 02 | Mounting ring | for JSK37CW | SK 3105-93 | 1 |
| 03 | Wearing part | for JSK37CW | SK 3105-92 | 1 |
| oZ | Split pin | up to xx24xxxxxx | SK 1974 | 1 |
| oZ | Spring hook | up to xx24xxxxxx | SK 1436 | 1 |
| 04 | Plastic top plate liner, left (6x) | compl. with screws | SK 3105-129L | 1 |
| 04 | Plastic top plate liner, right (6x) | compl. with screws | SK 3105-129R | 1 |
| 05 | Adjusting screw | for JSK37CZ | SK 3105-150 | 1 |
| 05 | Adjusting screw | for JSK37CW | SKE500740220 | 1 |
| 07 | Guide | | SK 3205-07 | 1 |
| 08 | Countersunk bolt | compl. | SK 2121-15 | 8 |
| oZ | Lubrication tube | | SK 1989 | 1 |
| oZ | Nut and bolt | | SK 1976 | 1 |
| 11 | Lubrication line | for JSK37CZ, with 12 | SK 3108-02 | 1 |
| 12 | Cable tie | | SK 3121-13 | 1 |
| 13 | Eye bolt | compl. | SK 2122-04 | 1 |
| 14 | Tension spring | | SK 847 | 1 |
| 15 | Lock jaw | with 12 | SK 1489 Z | 1 |
| 15 | Lock jaw | for LT1P | SKE004090000 | 1 |
| 16 | Bolt | | SK 2106-67 | 1 |
| 17 | Threaded stopper | | 000.010.021 | 4 |

| Item | Description | Remark | Order No. | per JSK |
|------|-----------------------|----------------------|--------------|---------|
| 18 | Hexagon bolt | compl. | SK 3521-03 | 1 |
| 19 | Double tension spring | | SK 3105-20 | 1 |
| 20 | Latch | compl. | SK 3121-52 | 1 |
| 21 | Spring noose | compl. | SK 3121-59 | 1 |
| 22 | Locking bolt | | SK 3205-06 | 1 |
| 23 | Lever | | SK 3105-18 | 1 |
| 24 | Bar bolt | compl. | SK 3221-01 | 1 |
| 25 | Hexagon bolt | compl. | SK 1513 | 1 |
| 26 | Short handle | for type K | SK 3105-15 | 1 |
| oZ | Handle extension | only in retrofit kit | | |
| 28 | Locking bar | for type J | SK 3105-115 | 1 |
| 29 | Latch cord | compl. for type J | SK 3521-02 | 1 |
| 30 | Hexagon bolt | compl. for type J | SK 2421-50 | 1 |
| 31 | Long handle | for type J | SK 3105-113 | 1 |
| 32 | Rubber cushion, lower | | SK 2105-25 | 2 |
| 33 | Rubber cushion, upper | | SK 1259 | 2 |
| 34 | Bridge | | SK 1372 | 2 |
| 35 | Pedestal BH 150 (ISO) | | SK 2104-02 | 2 |
| 35 | Pedestal BH 185 (ISO) | | SK 2104-01 | 2 |
| 35 | Pedestal BH 220 (ISO) | | SKE501780000 | 2 |
| 35 | Pedestal BH 250 (ISO) | | SK 2104-14 | 2 |
| 35 | Pedestal BH 300 (ISO) | | SK 2104-20 | 2 |

Repair and retrofit kits

| Item | Description | Order No. |
|--------------------------------|--------------------------------------|--------------|
| 01, 02, 14, 15, 16 | Repair kit for lock for type C | SK 3221-50 |
| 14, 15, 16 | Repair kit for lock for type C | SK 3221-52 |
| 01, 02 | Repair kit for lock for type C/CZ | SK 2121-51 |
| 01, 02, 11, 14, 15, 16 | Repair kit for lock for type CZ | SK 3221-50 Z |
| 11, 14, 15, 16 | Repair kit for lock for type CZ | SK 3221-52 Z |
| 01, 02, 03, oZ, 14, 15, 16, 23 | Repair kit for lock for type JSK37CW | SK 3121-60 Z |

| Item | Description | Order No. |
|----------------------------------------|----------------------------------------------------|---------------|
| 08, 32, 33 | Repair kit for bearing | SK 2121-69 |
| 11, 15 | Retrofit kit for type C on CZ | SK 3108-05 |
| oZ, 29, 30 | Retrofit kit handle extension compl. | SK 3121-063 |
| 01, 02, 11, 12, 14, 15, 16, 22, 24, 25 | Repair kit for lock | SK 3121-072 Z |
| 04 | Repair kit for plastic top plate liner with screws | SK 3106-003 |
| 01, 02, 03, 14, 15, 16, 36 | Repair kit for LT1P compl. | SKE004070100 |

Repair instructions at www.jost-world.com