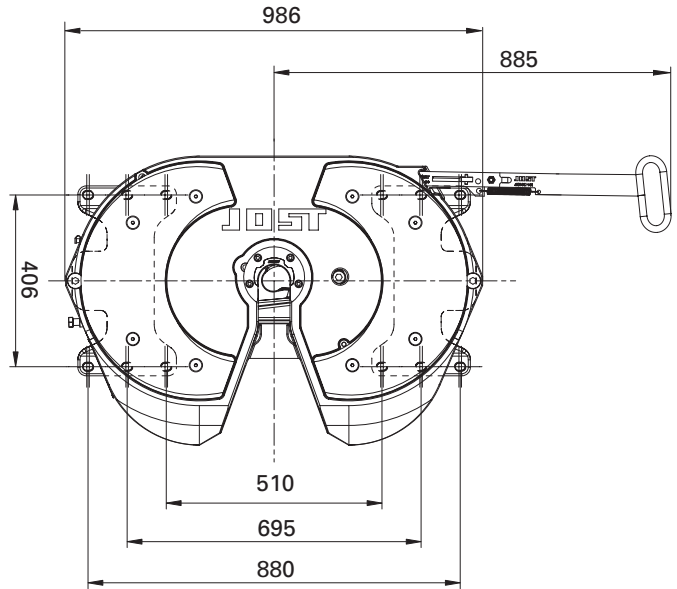
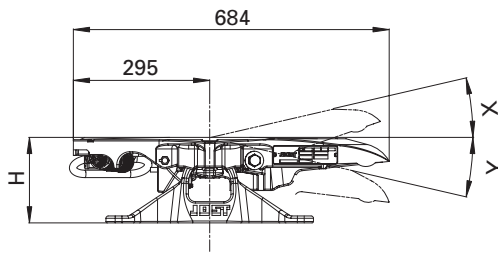


# Fifth wheel couplings · JSK 42 Plate mounting

## Advantages at a glance

- Light 2" fifth wheel cast coupling with slide bearing
- **Low-maintenance version with plastic top plate liner and LubeTronic 1Point for automatic lubrication of lock jaw**



available with



## Technical Specification

Suitable for 2" king pins (class G50) as per ECE R55-01, DIN 74080, ISO 337 and steering wedges as per ECE R55-01, DIN 74085.

For using sensor coupling versions MB and VT, the truck has to be prepared ex factory for sensors by the manufacturer.

Selection table/Versions available see next page

# JSK 42 Plate mounting

## Selection table / Versions available

### Plate mounting

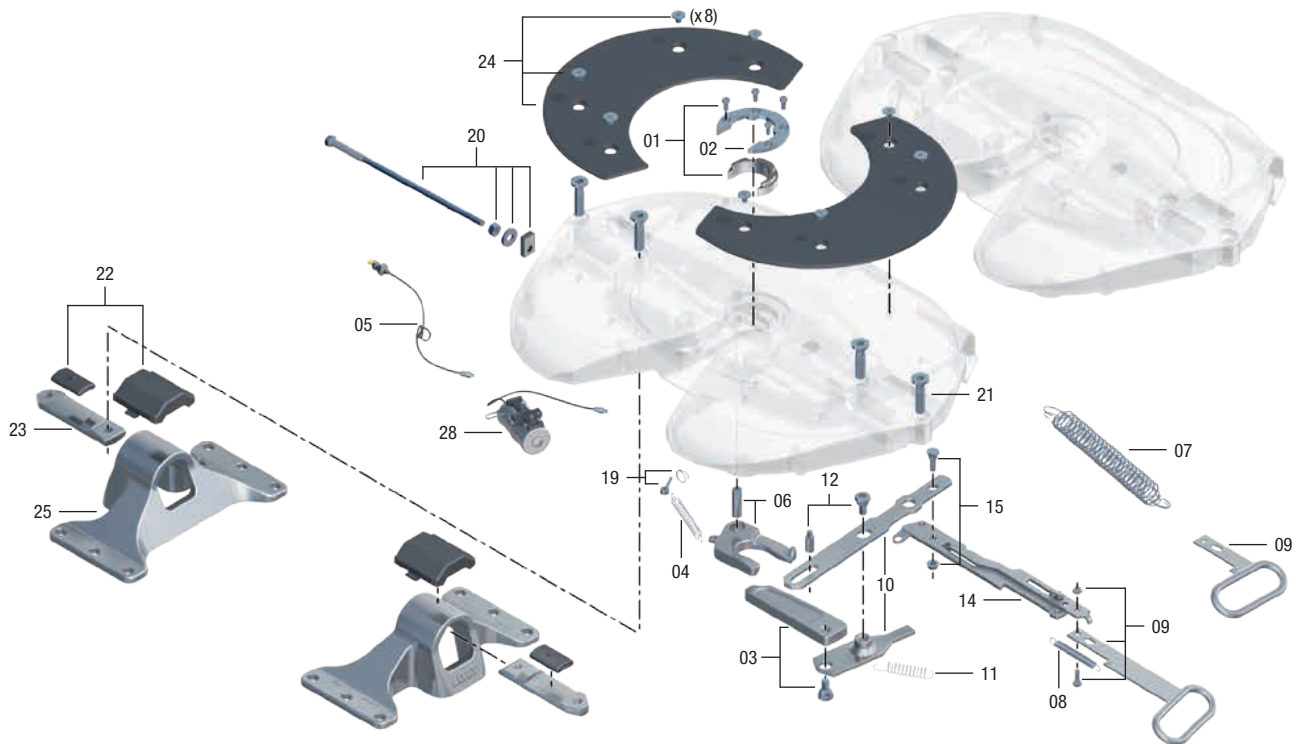
| Order No.          | H (mm) | X/Y | D value (kN) | Imposed load U (t) | Weight (kg) | Approval (ECE) | WA         | ZL | Sensoric |
|--------------------|--------|-----|--------------|--------------------|-------------|----------------|------------|----|----------|
| JSK 42 K0 20 35 AA | 150    | 13° | 152          | 20                 | 126         | E1 55R-01 1245 | Z          | J  | -        |
| JSK 42 K0 20 87 AA | 150    | 13° | 152          | 20                 | 126         | E1 55R-01 1245 | W+LT1P     | J  | -        |
| JSK 42 K0 20 U3 AA | 150    | 13° | 152          | 20                 | 131         | E1 55R-01 1245 | LT5P ST    | J  | -        |
| JSK 42 K0 20 BS AA | 150    | 13° | 152          | 20                 | 131         | E1 55R-01 1245 | LT5P MB    | J  | -        |
| JSK 42 K0 20 D0 CL | 150    | 13° | 152          | 20                 | 131         | E1 55R-01 1245 | LT5P MAN   | K  | -        |
| JSK 42 K0 20 G1 AI | 150    | 13° | 152          | 20                 | 131         | E1 55R-01 1245 | LT5P VT/RT | K  | -        |
| JSK 42 K0 20 C6 AA | 150    | 13° | 152          | 20                 | 130         | E1 55R-01 1245 | Z          | J  | ST*      |
| JSK 42 K0 20 C7 AA | 150    | 13° | 152          | 20                 | 130         | E1 55R-01 1245 | W          | J  | ST*      |
| JSK 42 K0 20 M3 BB | 150    | 13° | 152          | 20                 | 130         | E1 55R-01 1245 | Z          | J  | MB       |
| JSK 42 K0 20 BC AA | 150    | 13° | 152          | 20                 | 130         | E1 55R-01 1245 | W+LT1P     | J  | MB       |
| JSK 42 K0 20 P1 AI | 150    | 13° | 152          | 20                 | 130         | E1 55R-01 1245 | Z          | K  | VT/RT    |
| JSK 42 K0 20 P4 AI | 150    | 13° | 152          | 20                 | 130         | E1 55R-01 1245 | W+LT1P     | K  | VT/RT    |
| JSK 42 K0 20 AI AA | 150    | 13° | 152          | 20                 | 131         | E1 55R-01 1245 | LT5P MAN   | J  | ST*      |
| JSK 42 K0 20 BM BB | 150    | 13° | 152          | 20                 | 131         | E1 55R-01 1245 | LT5P MB    | J  | MB       |
| JSK 42 K0 20 P2 AI | 150    | 13° | 152          | 20                 | 131         | E1 55R-01 1245 | LT5P VT/RT | K  | VT/RT    |
| JSK 42 K0 38 35 AA | 185    | 19° | 152          | 20                 | 124         | E1 55R-01 1245 | Z          | J  | -        |
| JSK 42 K0 38 87 AA | 185    | 19° | 152          | 20                 | 124         | E1 55R-01 1245 | W+LT1P     | J  | -        |
| JSK 42 K0 38 U3 AA | 185    | 19° | 152          | 20                 | 129         | E1 55R-01 1245 | LT5P ST    | J  | -        |
| JSK 42 K0 38 BS BB | 185    | 19° | 152          | 20                 | 129         | E1 55R-01 1245 | LT5P MB    | J  | -        |
| JSK 42 K0 38 D0 CL | 185    | 19° | 152          | 20                 | 129         | E1 55R-01 1245 | LT5P MAN   | K  | -        |
| JSK 42 K0 38 G1 AI | 185    | 19° | 152          | 20                 | 129         | E1 55R-01 1245 | LT5P VT/RT | K  | -        |
| JSK 42 K0 38 C6 AA | 185    | 19° | 152          | 20                 | 128         | E1 55R-01 1245 | Z          | J  | ST*      |
| JSK 42 K0 38 C7 AA | 185    | 19° | 152          | 20                 | 128         | E1 55R-01 1245 | W          | J  | ST*      |
| JSK 42 K0 38 M3 BB | 185    | 19° | 152          | 20                 | 128         | E1 55R-01 1245 | Z          | J  | MB       |
| JSK 42 K0 38 BC AA | 185    | 19° | 152          | 20                 | 128         | E1 55R-01 1245 | W+LT1P     | J  | MB       |
| JSK 42 K0 38 P1 AI | 185    | 19° | 152          | 20                 | 128         | E1 55R-01 1245 | Z          | K  | VT/RT    |
| JSK 42 K0 38 P4 AI | 185    | 19° | 152          | 20                 | 128         | E1 55R-01 1245 | W          | K  | VT/RT    |
| JSK 42 K0 38 AI AA | 185    | 19° | 152          | 20                 | 129         | E1 55R-01 1245 | LT5P MAN   | J  | ST*      |
| JSK 42 K0 38 BM BB | 185    | 19° | 152          | 20                 | 129         | E1 55R-01 1245 | LT5P MB    | J  | MB       |
| JSK 42 K0 38 P2 AI | 185    | 19° | 152          | 20                 | 129         | E1 55R-01 1245 | LT5P VT/RT | K  | VT/RT    |
| JSK 42 K0 57 35 AA | 225    | 25° | 152          | 20                 | 129         | E1 55R-01 1245 | Z          | J  | -        |
| JSK 42 K0 57 87 AA | 225    | 25° | 152          | 20                 | 129         | E1 55R-01 1245 | W+LT1P     | J  | -        |
| JSK 42 K0 57 U3 AA | 225    | 25° | 152          | 20                 | 133         | E1 55R-01 1245 | LT5P ST    | J  | -        |
| JSK 42 K0 57 G1 AI | 225    | 25° | 152          | 20                 | 133         | E1 55R-01 1245 | LT5P VT/RT | K  | -        |
| JSK 42 K0 57 C6 AA | 225    | 25° | 152          | 20                 | 133         | E1 55R-01 1245 | Z          | J  | ST*      |
| JSK 42 K0 57 C7 AA | 225    | 25° | 152          | 20                 | 132         | E1 55R-01 1245 | W          | J  | ST*      |
| JSK 42 K0 57 M3 BB | 225    | 25° | 152          | 20                 | 133         | E1 55R-01 1245 | Z          | J  | MB       |
| JSK 42 K0 57 BC AA | 225    | 25° | 152          | 20                 | 132         | E1 55R-01 1245 | W          | J  | MB       |
| JSK 42 K0 57 P1 AI | 225    | 25° | 152          | 20                 | 133         | E1 55R-01 1245 | Z          | K  | VT/RT    |
| JSK 42 K0 57 P4 AI | 225    | 25° | 152          | 20                 | 132         | E1 55R-01 1245 | W          | K  | VT/RT    |
| JSK 42 K0 57 AI AA | 225    | 25° | 152          | 20                 | 133         | E1 55R-01 1245 | LT5P ST    | J  | ST*      |
| JSK 42 K0 57 P2 AI | 225    | 25° | 152          | 20                 | 133         | E1 55R-01 1245 | LT5P VT    | J  | VT*      |
| JSK 42 K0 70 35 AA | 250    | 27° | 152          | 20                 | 134         | E1 55R-01 1245 | Z          | J  | -        |
| JSK 42 K0 70 87 AA | 250    | 27° | 152          | 20                 | 134         | E1 55R-01 1245 | W+LT1P     | J  | -        |
| JSK 42 K0 70 U3 AA | 250    | 27° | 152          | 20                 | 138         | E1 55R-01 1245 | LT5P ST    | J  | -        |
| JSK 42 K0 70 BS BB | 250    | 27° | 152          | 20                 | 138         | E1 55R-01 1245 | LT5P MB    | J  | -        |
| JSK 42 K0 70 D0 CL | 250    | 27° | 152          | 20                 | 138         | E1 55R-01 1245 | LT5P MAN   | J  | -        |
| JSK 42 K0 70 G1 AI | 250    | 27° | 152          | 20                 | 138         | E1 55R-01 1245 | LT5P VT/RT | J  | -        |
| JSK 42 K0 70 M3 BB | 250    | 27° | 152          | 20                 | 137         | E1 55R-01 1245 | Z          | J  | MB       |
| JSK 42 K0 70 BC AA | 250    | 27° | 152          | 20                 | 137         | E1 55R-01 1245 | W          | J  | MB       |
| JSK 42 K0 70 P1 AI | 250    | 27° | 152          | 20                 | 137         | E1 55R-01 1245 | Z          | K  | VT/RT    |
| JSK 42 K0 70 P4 AI | 250    | 27° | 152          | 20                 | 137         | E1 55R-01 1245 | W          | K  | VT/RT    |
| JSK 42 K0 70 AI AA | 250    | 27° | 152          | 20                 | 138         | E1 55R-01 1245 | LT5P ST    | J  | ST*      |
| JSK 42 K0 70 P2 AI | 250    | 27° | 152          | 20                 | 138         | E1 55R-01 1245 | LT5P VT    | J  | VT       |

Explanatory notes for the selection tables please refer to page 15.

Mounting instructions at [www.jost-world.com](http://www.jost-world.com)

# JSK 42 Plate mounting

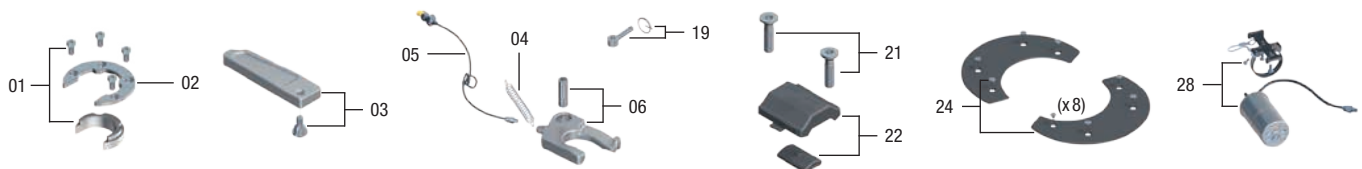
## Spare parts



| Item | Description                 | Remark              | Order No.    | per JSK |
|------|-----------------------------|---------------------|--------------|---------|
| 01   | Locking bolt + mount. bolts |                     | SKE001740020 | 1       |
| 02   | Mounting ring               | with 01             | SK 3105-94   | 1       |
| 03   | Locking bolt + mount. bolt  |                     | SKE001009720 | 1       |
| 04   | Tension spring              |                     | SK 847       | 1       |
| 05   | Lubrication line            | with cable tie      | SK 3108-02   | 1       |
| 06   | Lock jaw                    | with 04 + 05        | SK 3221-52 Z | 1       |
| 07   | Double tension spring       |                     | SK 3105-20   | 1       |
| 08   | Locking spring              |                     | SKE001440000 | 1       |
| 09   | Short handle                | with 08, L = 220 mm | SKE001390020 | 1       |
| 09   | Long handle                 | with 08, L = 390 mm | SKE001390120 | 1       |
| 10   | Lever kit                   | with 11 + 12        | SKE001380020 | 1       |
| 11   | Lever spring                |                     | SKE001009800 | 1       |
| 12   | Lever bolts                 |                     | SKE001750020 | 1       |

| Item | Description                         | Remark  | Order No.    | per JSK |
|------|-------------------------------------|---------|--------------|---------|
| 14   | Lever                               | with 15 | SKE001620020 | 1       |
| 15   | Lever bolt                          |         | SKE001650020 | 1       |
| 19   | Eye bolt                            | compl.  | SK 2122-04   | 1       |
| 20   | Adjusting screw with guide          |         | SKE500740220 | 1       |
| 21   | Bridge bolt                         |         | SKE001011400 | 4       |
| 22   | Collar                              | with 21 | SKE001370020 | 2       |
| 23   | Bridge                              | with 21 | SKE001530220 | 2       |
| 24   | Plastic top plate liner with screws |         | SKE001007020 | 1       |
| 25   | Pedestal BH 150 (ISO)               | with 21 | SKE001005620 | 2       |
| 25   | Pedestal BH 185 (ISO)               | with 21 | SKE001005720 | 2       |
| 25   | Pedestal BH 225 (ISO)               | with 21 | SKE001005820 | 2       |
| 25   | Pedestal BH 250 (ISO)               | with 21 | SKE001005920 | 2       |

## Repair and retrofit kits



| Item                       | Description            | Order No.    |
|----------------------------|------------------------|--------------|
| 01, 02, 03, 04, 05, 06, 19 | Repair kit for lock    | SKE001640020 |
| 21, 22                     | Repair kit for bearing | SKE001370220 |

| Item           | Description  | Order No.    |
|----------------|--|--------------|
| 24             | Repair kit for plastic top plate liner with screws | SKE001007020 |
| 01, 02, 06, 28 | Repair kit for LT/P compl.                         | SKE004070100 |

Spare parts for Sensoric/SKS/KKS please refer to Sensoric/SKS/KKS.  
Spare parts for LubeTronic 5Point please refer to LubeTronic 5Point.