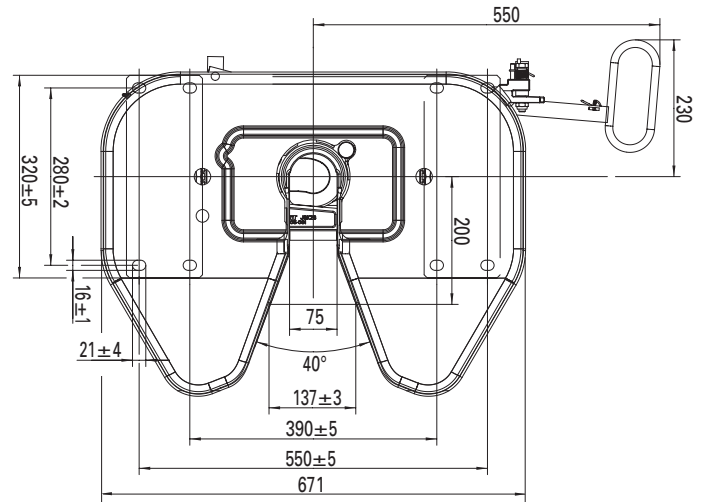
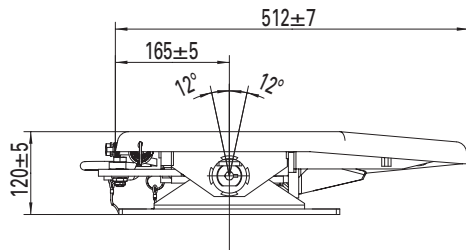


Fifth wheel couplings · JSK 26D

Advantages at a glance

- Compact 2" fifth wheel coupling for distribution traffic
- Robust pressed steel design
- Approved for forced steering semi-trailers



Selection table / Versions available

Order No.	D value (kN)	Imposed load U (t)	Weight (kg)	Approval (ECE)
JSK 26 D0 10 00 AA	50*	6	45	E1 55R-01 1800

* D value 40.0 kN when steering wedges are used

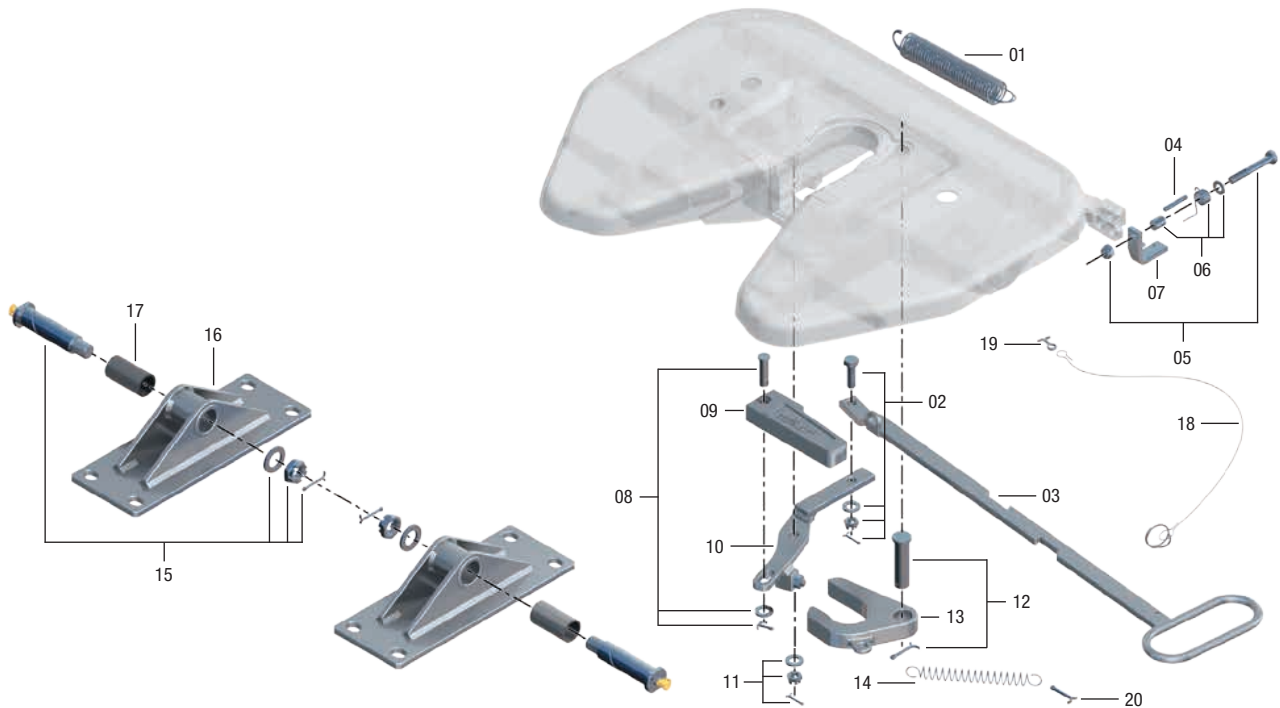
Explanatory notes for the selection tables please refer to page 15.

Technical Specification

Suitable for 2" king pins (class G50) as per ECE R55-01, DIN 74080, ISO 337 and steering wedges as per ECE R55-01, DIN 74085. Overall weight of transportation unit max. 12 t.

JSK 26D

Spare parts



Item	Description	Remark	Order No.	per JSK
01	Double tension spring		SK 3105-152	1
02	Hexagon bolt	compl.	SK 2621-54	1
03	Handle		SKE004790000	1
04	Spring hook		NTE000000400	1
05	Hexagon bolt		SK 3521-03	1
06	Spring noose		SK 2921-30	1
07	Latch	compl.	SK 3121-52	1
08	Bar bolt	compl.	SK 2621-53	1
09	Locking bolt		SK 2605-61	1
10	Lever	compl.	SK 2605-59	1

Item	Description	Remark	Order No.	per JSK
11	Castle nut	compl.	SK 2621-56	1
12	Bolt	compl.	SK 2621-51	1
13	Lock jaw		SK 2605-60	1
14	Tension spring		SK 847	1
15	Spring bolt	compl.	SK 2621-02	2
16	Pedestal BH 120		SKE005500000	2
17	Bush		SK 2604-04	2
18	Latch cord	compl.	SK 3521-02	1
19	Split pin		SKE035210600	1
20	Split pin		NTE000001600	1