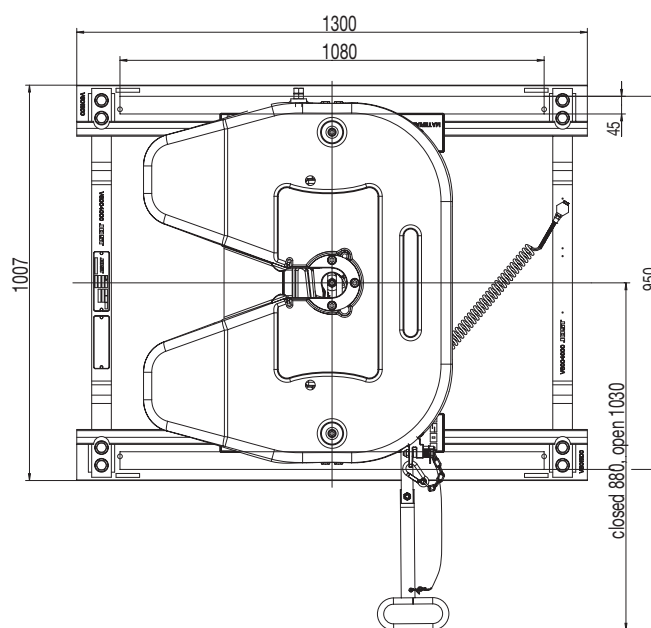
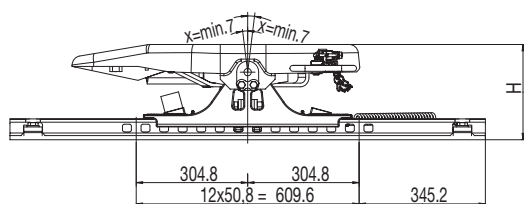


Sliders · ProTech

Advantages at a glance

- Low weight
- Also suitable for broad frame hole patterns
- Tappets in throat of fifth wheel coupling to correctly position king pin
- Can be retrofitted with Fleetmaster Handle



Technical Data

Type	D value (kN)	Imposed load U (t)	Approval (ECE)
JSK P0	152	20	E1 55R-01 2197

- The JSK ProTech is not suitable for use in site traffic.
- The load conditions apply for operation on paved roads and transport conditions typical in Central Europe.
- Please enquire about uses other than these.

Technical Specification

Suitable for 2" king pins (class G 50) as per ECE R55-01, DIN 74080, ISO 337 and steering wedges as per ECE R55-01, DIN 74085.



Order key for ProTech Slider

Components and variants

Fifth wheel coupling JSK PO	Mounting height	Variants Handle/Maintenance	Customer hole pattern (all e-coated)
D0 = JSK 36 D (pressed steel)	33 = 175 mm	06 = Slider manual	AA = Standard (without hole pattern, no customer-specific pattern)
E0 = JSK 37 E (cast)	47 = 205 mm	11 = Slider manual / JSK 37 EW/LT1P/3 sensors*	FC = Mercedes-Benz hole pattern, new Actros (MP4) 950/M20
	71 = 260 mm	20 = Slider pneumatic	CB = Renault/Volvo hole pattern 930/M14/Huckbolt
		24 = Slider pneumatic / JSK 37 EW/LT1P/3 sensors*	FT = Renault/Volvo hole pattern with short handle 930/M14/Huckbolt
		T6 = Slider manual / JSK 37 EW/LT1P	GF = IVECO hole pattern with short handle 920/M16
		I3 = Slider pneumatic / JSK 37 EW/LT1P	
		D6 = Slider manual / 3 sensors*	
		D5 = Slider pneumatic / 3 sensors*	

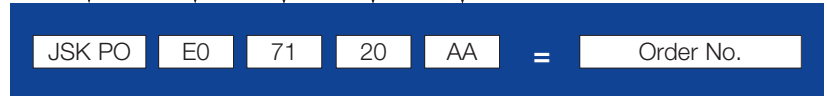
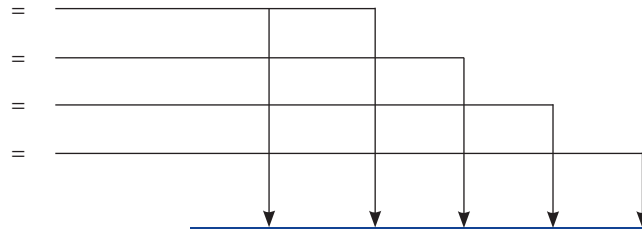
* = remote display wand cable set have to be ordered seperatly

Explanations:

JSK 37 EW = Low-maintenance version with plastic top plate liner
 LT1P = LubeTronic 1Point

Example of an order number – JSK PO E0 71 20 AA

Fifth wheel coupling =
 Mounting height =
 Variants (handle/maintenance) =
 Customer hole pattern =



Mounting kits

Customer hole pattern	Order No.	Quantity per PO
FC	SLE000000820	1
CB/FT	SLE000000720	1
GF	SLE000000120	1

Remote display

Order No.	Description	Weight (kg)
SKE501620200	3-sensor-display, 24 V (european Standard)	0,075
SKE501620500	3-sensor-display, 12 V	0,075

available with

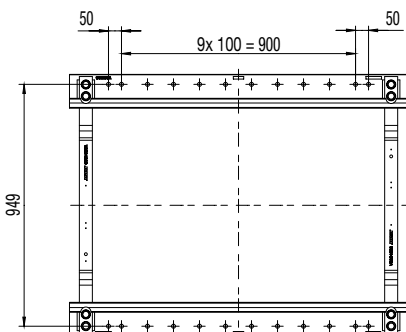


Cable set

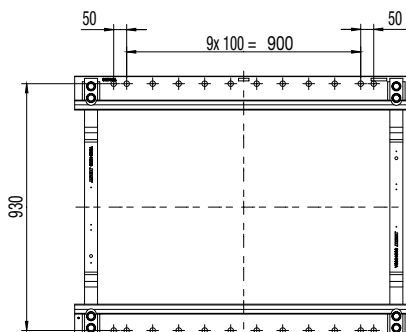
Order No.	Description	Weight (kg)
SKE002110300	ADR (for hazardous materials transporter)	1,85

Customer hole pattern

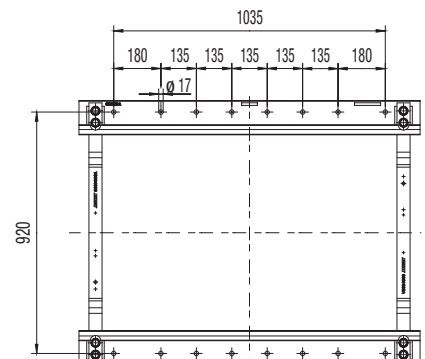
FC



CB/FT

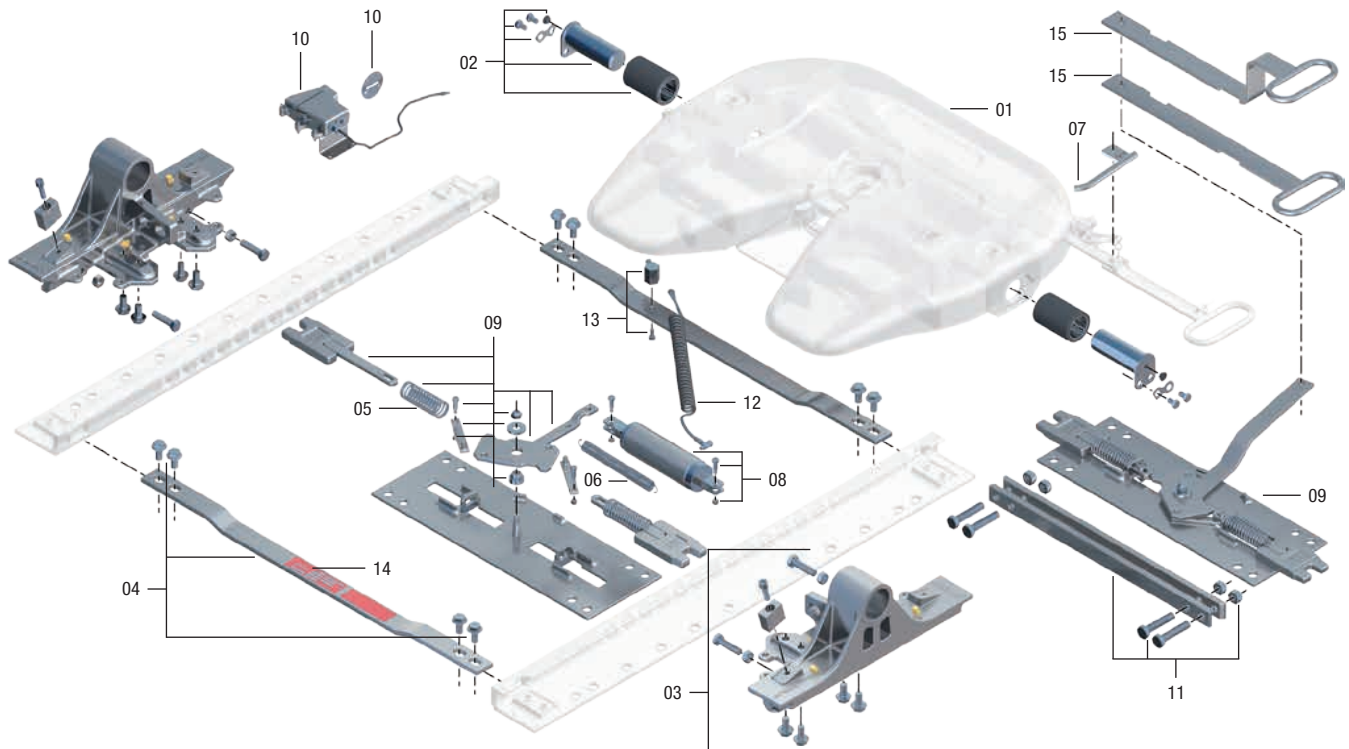


GF



JSK ProTech

Spare parts



Item	Description	Remark	Order No.	pro Slider
01	Fifth wheel coupling	*		1
02	Bracing	for JSK PO E0xxxxxx	SK 3121-61	1
02	Bracing	for JSK PO D0xxxxxx	SK 2921-051	1
03	Pedestal, kit BH 175	for JSK PO D03306xx	SLE603240020	1
03	Pedestal, kit BH 175		SLE603240120	1
03	Pedestal, kit BH 205	for JSK PO E0xxxxxx	SLE603800020	1
03	Pedestal, kit BH 205	for JSK PO D0xxxxxx	SLE603800120	1
03	Pedestal, kit BH 260		SLE603260020	1
04	Traverse, kit		SLE600400020	2
05	Pressure spring		SLE201330020	1
06	Double tension spring		SLE202610000	2
07	Short handle compl.	for JSK 37 E/JSK 36 D	SKE501810000	1

Item	Description	Remark	Order No.	pro Slider
08	Cylinder, kit		SLE202410020	1
09	Base plate, kit manual		SLE603450000	1
09	Base plate, kit pneumatic		SLE600010200	1
10	Pneumatics kit		V 1021-54	1
10	Pneumatics kit	for JSK PO D0 71 20 EK	SLE601680000	1
11	Bracing, kit	for JSK POD071xxxx	SLE601960020	1
12	Pneumatic pipe		SLE203070000	1
13	Connector, kit		SLE203050200	1
14	Typ designation		on request	1
15	Handle, kit BH 175/205 manual		SLE603360020	1
15	Handle, kit BH 260 manual		SLE603480020	1

* Spare parts of fifth wheel coupling see JSK 37 E or JSK 36 D
The gear racks and the fifth wheel plate are not available as spare parts.