

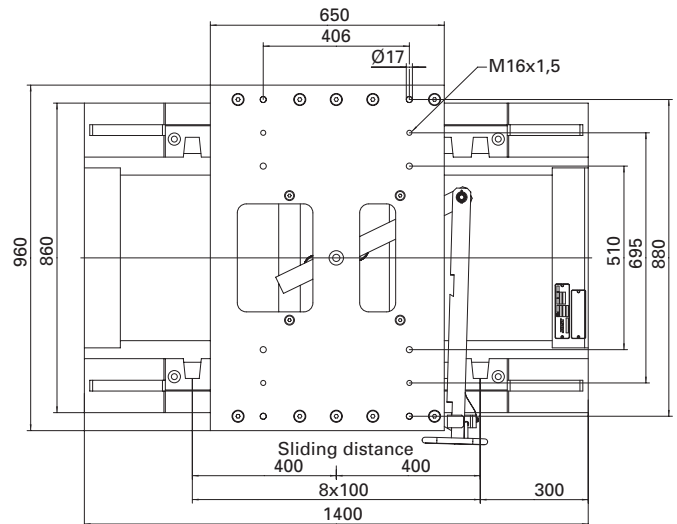
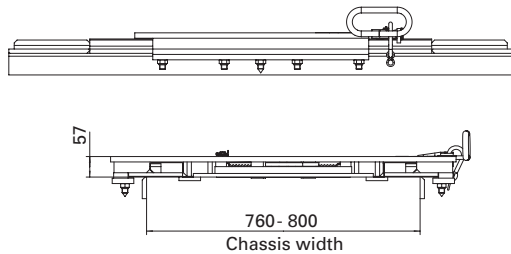
Sliders · EV HD

Advantages at a glance

- Heavy duty slider
- Especially robust
- 8 slide positions

EV HD-800-6

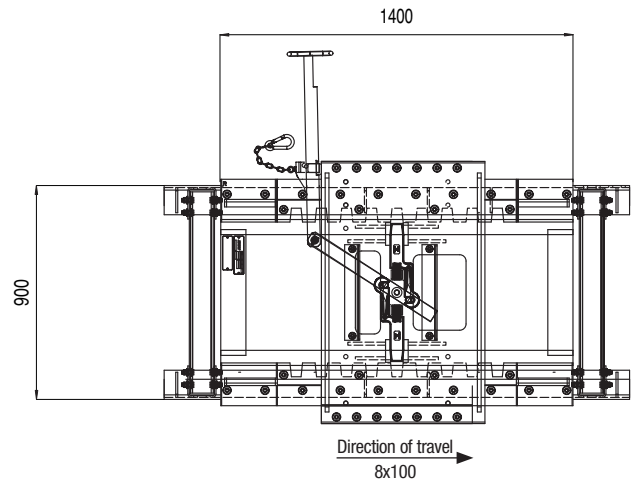
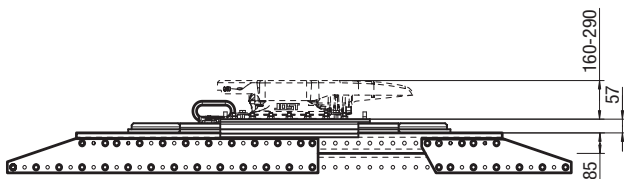
Order No.	D value (kN)	Imposed load U (t)	Weight (kg)	Approval (ECE)
EV HD-800-6	260	36	226.0	E1 55R-01 1266



EVHD850101AA (Volvo and MB Actros new MP4)

Order No.	D value (kN)	Imposed load U (t)	Weight (kg)	Approval (ECE)
EVHD850101AA*	260	36	323.0	E1 55R-01 1902

*Mounting kit: SLE203730000 (Volvo)



The load data apply to use on paved roads and for standard road conditions in Central Europe.

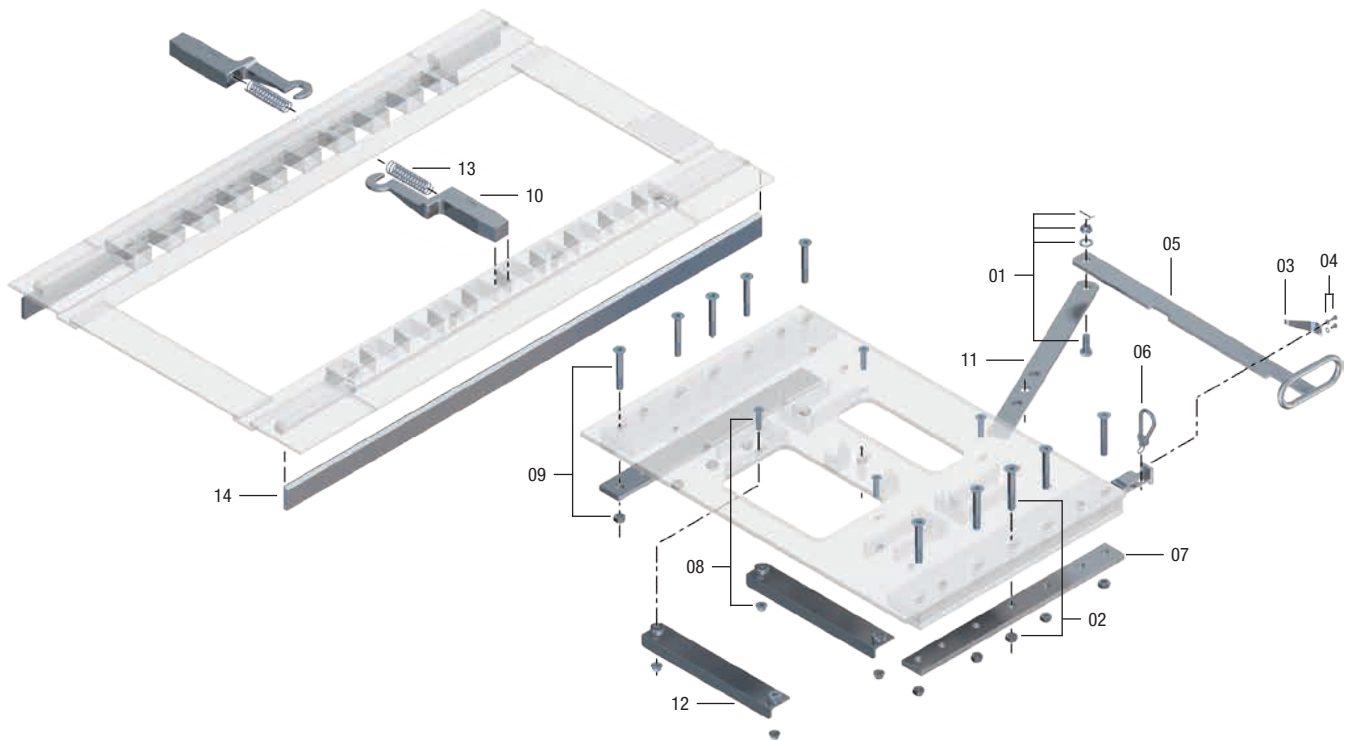
Technical Specification

Slider with ISO 3842 hole pattern for fifth wheel couplings as per DIN 74084 (heavy duty fifth wheel couplings) with coupling mounting heights of up to 290 mm.

Limited pitching angle with mounting height 160 mm (X value = 7°, Y value = 6°, see JSK 38 C)

EV HD-800-6

Spare parts



EV HD-800-6

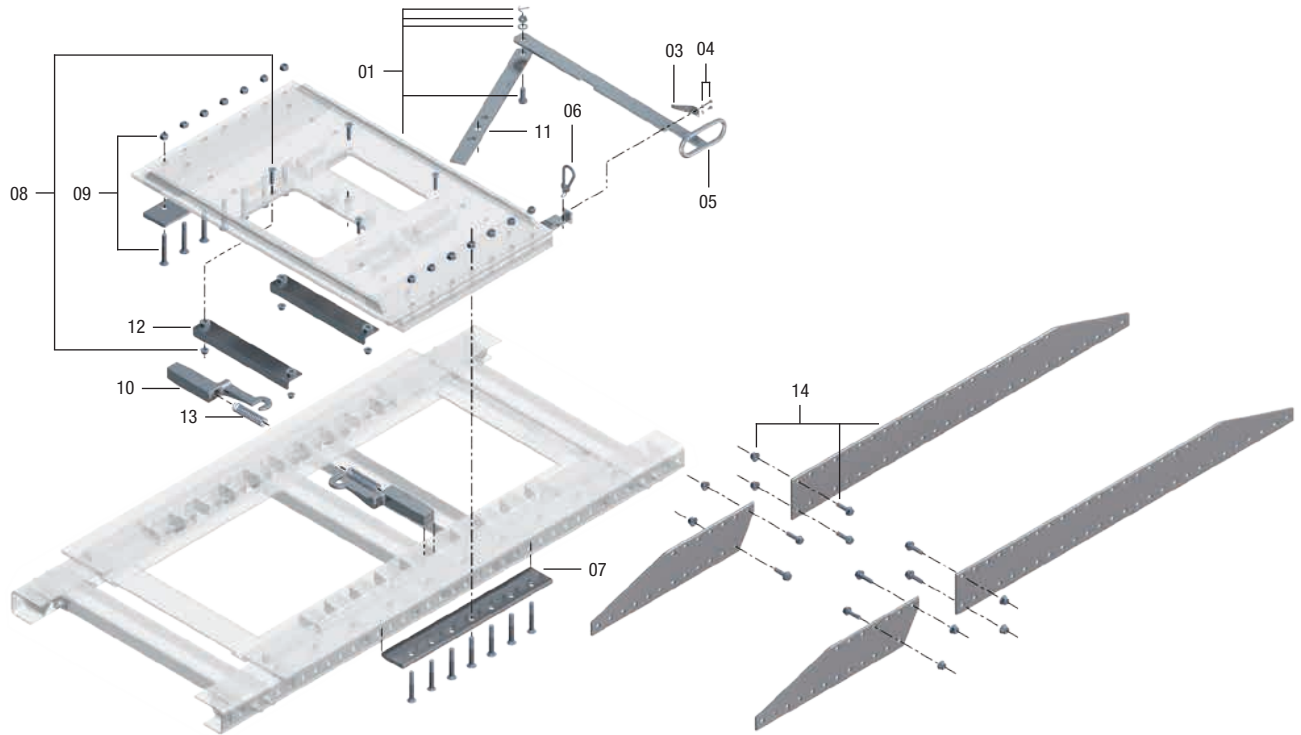
Item	Description	Remark	Order No.	per Slider	Item	Description	Remark	Order No.	pro Slider
01	Hexagon bolt	compl.	V 2021-09	1	08	Bolt kit		NTE001970000	1
02	Indicator	compl.	V 2021-01	2	09	Countersunk bolt	compl.	V 2021-02	8
03	Leaf spring		SK 1859	1	10	Bar	compl.	SLE200511120	2
04	Hexagon bolt	compl.	V 2021-04	2	11	Lever	compl.	V 2005-30	1
05	Handle	compl.	SLE200527520	1	12	Lever guide	compl.	SLE200510720	2
06	Spring hook with chain		SK 1436	1	13	Pressure spring		SLE200510000	2
07	Bar		V 2005-52	2	14	Bar		V 2005-06	2

Mounting kits for EV HD-800-6

consisting of	for mounting	Order No.	Quantity
	Slider EV HD-800-6 on mounting angles	V 2021-17	
Hexagon bolt M14 x 1,5 x 40			20
Lock nut M14 x 1,5			20
Stop block			4
Countersunk bolt M16 x 1,5 x 80			8
Lock nut M16 x 1,5			8
	Fifth wheel coupling on EV HD-800-6	V 2021-16	
Hexagon bolt M16 x 1,5 x 70			4
Hexagon bolt M16 x 1,5 x 40			4
Lock nut M16 x 1,5			8
Washer 17			12
Hexagon bolt M16 x 1,5 x 130			4
Stop block 15 x 15 x 100			6

EVHD850101AA (Volvo and MB Actros new MP4)

Spare parts



EVHD850101AA

Item	Description	Remark	Order No.	per Slider	Item	Description	Remark	Order No.	per Slider
01	Hexagon bolt	compl.	V 2021-09	1	10	Bar	compl.	SLE200511120	2
03	Leaf spring		SK 1859	1	11	Lever	compl.	V 2005-30	1
04	Hexagon bolt	compl.	V 2021-04	2	12	Lever guide	compl.	SLE200510720	2
05	Handle	compl.	SLE200527520	1	13	Pressure spring		SLE200510000	2
06	Spring hook with chain		SK 1436	1	14	Mounting kit (VOLVO)		SLE203730000	1
07	Bar		V 2005-52	2	14	Mounting kit (Actros new MP4)*		A 663 315 05-21	1
08	Bolt kit		NTE001970000	1					
09	Countersunk bolt	compl.	V 2021-02	14					

* to be ordered separately from Mercedes-Benz

Mounting kits for EVHD850101AA

consisting of	for mounting	Order No.	Quantity
	Slider EV HD850101AA on mounting angles (VOLVO)	SLE203730000	
Spacer 650 x 143 x 8			2
Spacer 1350 x 143 x 8			2
Hexagon bolt M14 x 45			76
Lock nut M14			76
	Fifth wheel coupling on EVHD850101AA	SLE000000620	
Hexagon bolt M16 x 1,5 x 70			4
Lock nut M 16 x 1,5			4
Washer 17			12
Hexagon bolt M16 x 40			4
Hexagon bolt M16 x 60			4
Stop block 15 x 15 x 100			2
Stop block 12 x 25 x 100			4