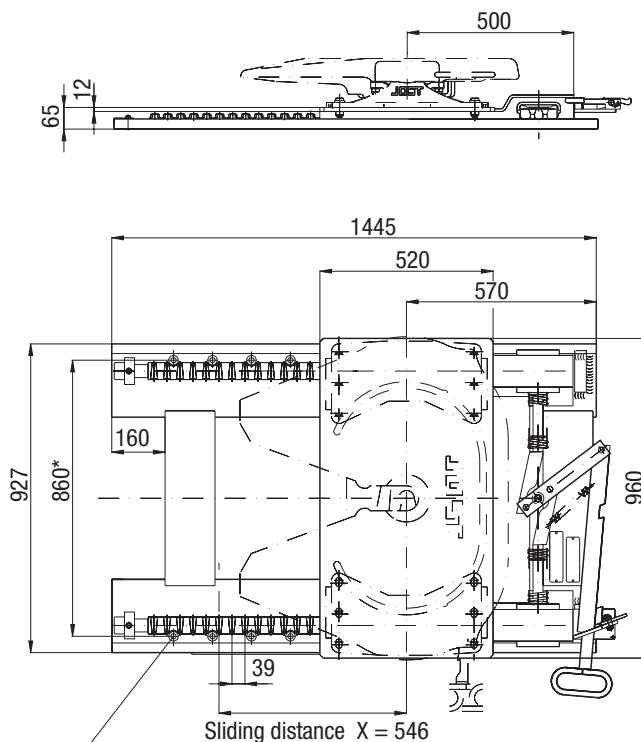
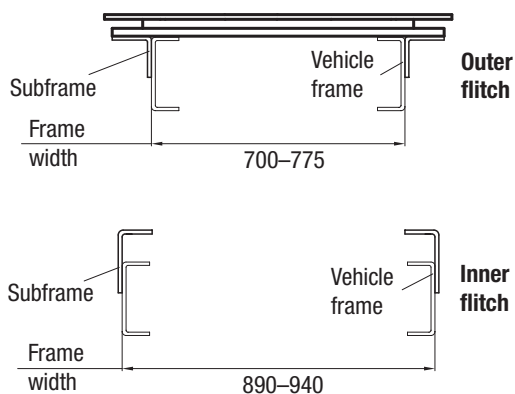


# Sliders · EV M

## Mounting on the vehicle frame

Suitable for frame with outer flitches having a frame width of 700–775 mm. In the case of frame with inner flitches having a frame width of 890–940 mm.



\* recommended hole pattern  
10 x countersink on each side  
for countersunk bolts M14

## Selection table / Versions available

| Order No. | D value<br>(kN) | Imposed load<br>U (t) | Weight<br>(kg) | Approval<br>(EG) |
|-----------|-----------------|-----------------------|----------------|------------------|
| EV M      | 133             | 18                    | 186            | e1 00-0413       |

\* Without holes

## Technical Specification

Slider with connection hole pattern as per ISO 3842 for fifth wheel couplings as per DIN 74081 with fifth wheel coupling mounting heights of up to 250 mm, especially for the JSK 42 with DIN bearing.

