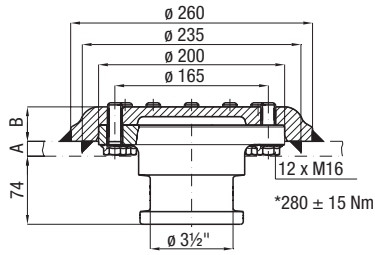
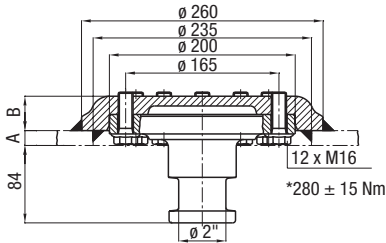


KZ 1416, 2816

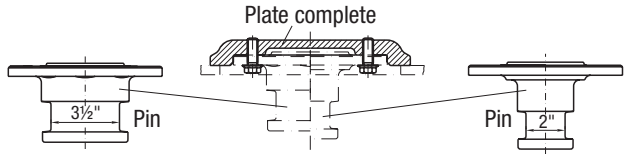
KZ 1416



KZ 2816



* Torque



KZ 1416-01

KZ 2816-01

Selection table/Versions available

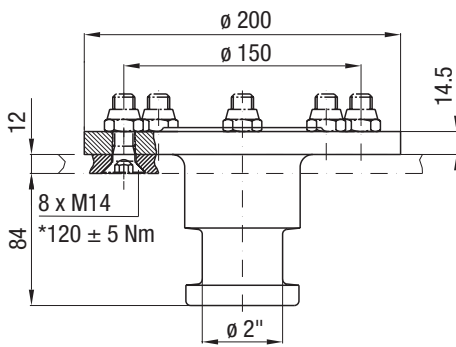
Order No. King pins, compl.	D value (kN)	A (mm)	B (mm)	Approval (ECE)
KZ 2816	152	16	37	-
KZ 1416	170	16	37	E1 55R-01 1572

Delivery includes

- King pin complete with plate and screws (mounted)

KZ 1312

KZ 1312



* Torque

Selection table/Versions available

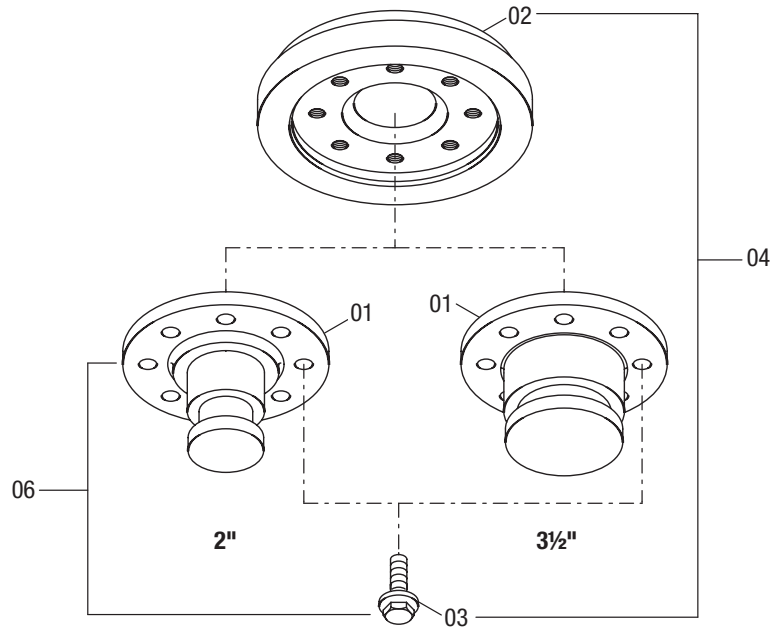
Order No. King pins, compl.	D value (kN)	Approval (D)
KZ 1312	105	F 3458

Mounting kit = KZE 1312-05, consisting of 8 screws with self-locking nuts (please order separately).



KZ 10..., 14..., 15..., 28..

Spare parts



KZ 10..., KZ 14..., KZ 15..., KZ 28..

Item	Description	Remark	Order No.	per King pin
01	Pin	for KZ 1416	KZ 1416-01	1
01	Pin	for KZ 1016	KZ 1016-01	1
01	Pin	for KZ 2816	KZ 2816-01	1
01	Pin	for KZ 1516	KZ 1516-01	1
01	Pin	for KZ 1008, KZ 1010, KZ 1012	KZ 1012-01	1
01	Pin	for KZ 1410, KZ 1412	KZ 1412-01	1
02	Retention plate	for KZ 2816, KZ 1416	KZ 1416-02	1
02	Retention plate	for KZ 1012, KZ 1412	KZ 1012-02	1
02	Retention plate	for KZ 1010, KZ 1410	KZ 1010-02	1
02	Retention plate	for KZ 1008	KZ 1008-02	1
02	Retention plate	for KZ 1516, KZ 1016	KZ 1016-02	1
03	Bolt	for KZ 1516, KZ 1016	KZE 1016-06	8
03	Bolt	for KZ 2816, KZ 1416	KZE 1416-03	12
03	Bolt	for KZ 1008, KZ 1010, KZ 1012, KZ 1410, KZ 1412	KZE 1012-03	8
04	Retention plate (kit)	with 03 for KZ 1008	KZ 1008-04	1
04	Retention plate (kit)	with 03 for KZ 1010, KZ 1410	KZ 1010-04	1
04	Retention plate (kit)	with 03 for KZ 1012, KZ 1412	KZ 1012-04	1
04	Retention plate (kit)	with 03 for KZ 2816, KZ 1416	KZ 1416-04	1
04	Retention plate (kit)	with 03 for KZ 1516, KZ 1016	KZ 1016-04	1
05	Bolt kit (kit)	with 03 for KZ 1008, KZ 1010, KZ 1012, KZ 1410, KZ 1412	KZ 1012-006	1
06	Pin (kit)	with 03 for KZ 1008, KZ 1010, KZ 1012	KZ 1012-08	1